

YAMAHA

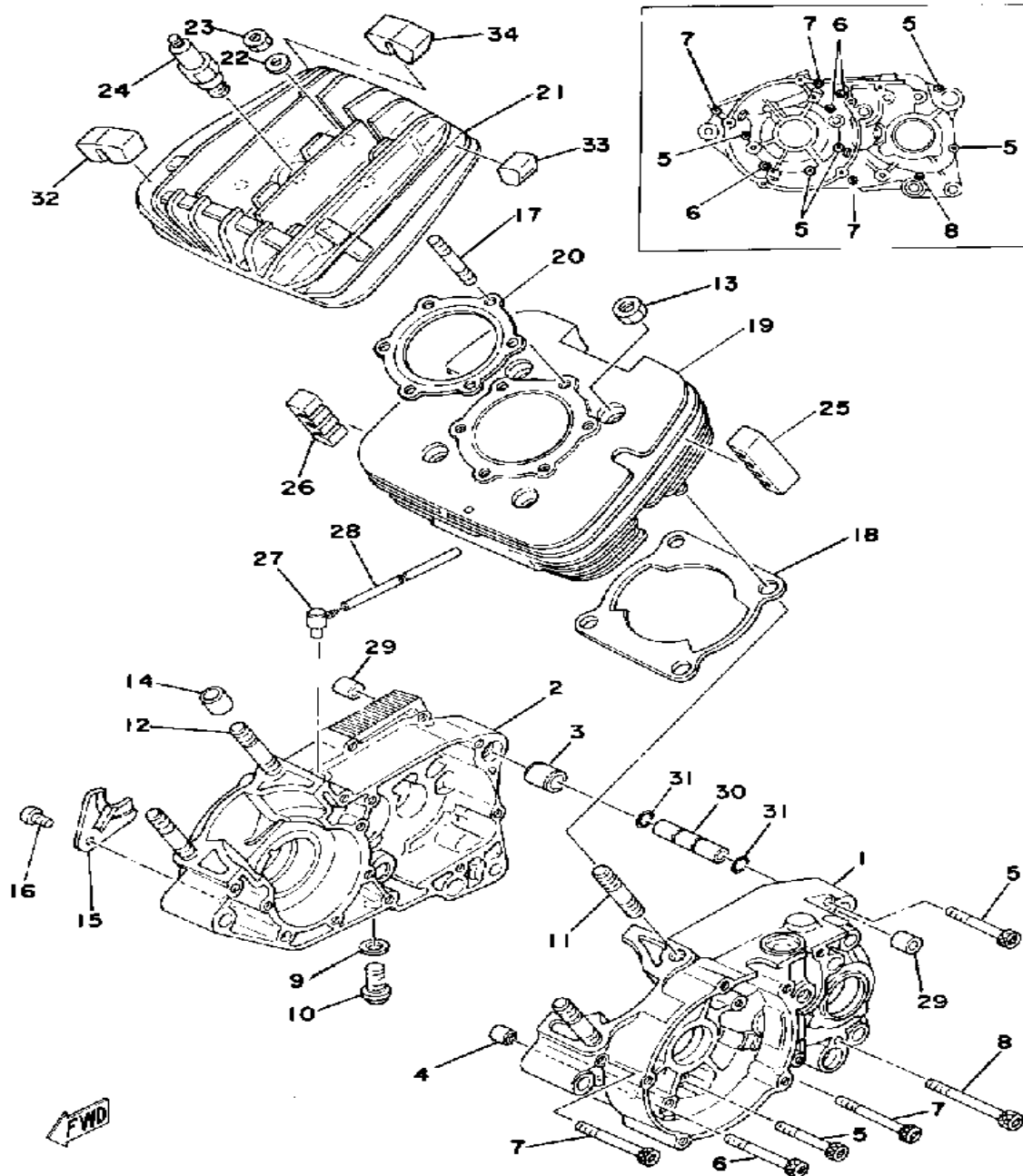
GENUINE

PARTS CATALOGUE

MOTORCYCLE

Initial Engine Number/Frame Number	2W6-000101 / 2W6-000101
Bore/Stroke/Number Cylinders/Displacement (cc)	66mm / 50mm / 1 / 171cc
Compression Ratio/Compression Pressure min ~ max	7.4:1 / φ

90890-01135-00 CRANKCASE SEPARATOR (ALL SINGLES)



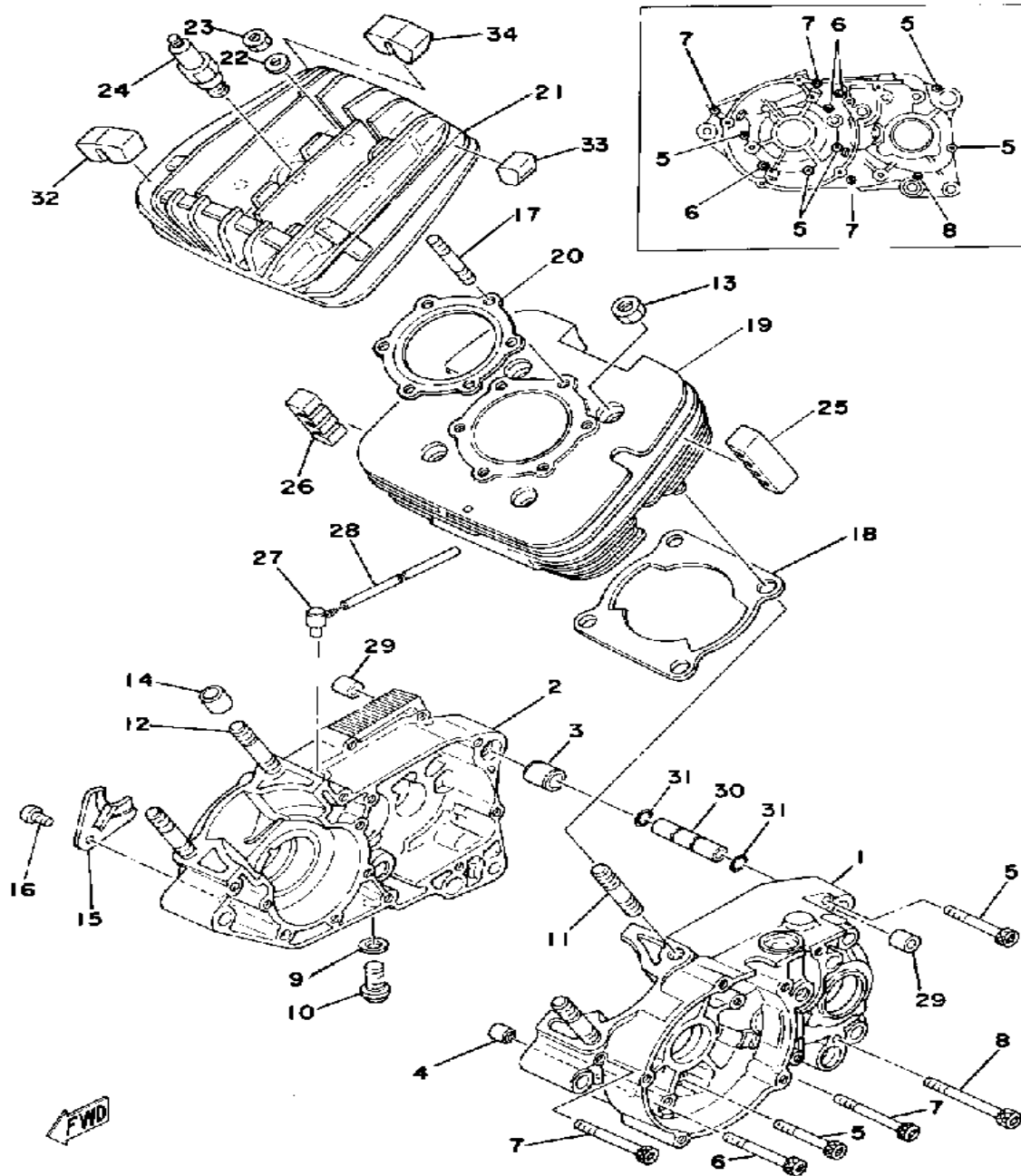
CRANKCASE-CYLINDER

Ref. No.	Part Number	Description	Qty	Remarks
1	1W2-15111-02-00	CRANKCASE 1	1	
2	1W2-15121-02-00	CRANKCASE 2 (1W2-15121-01)	1	
3	99510-20020-00	PIN, DOWEL	1	
4	99530-10014-00	PIN, DOWEL	1	
5	91316-06050-00	BOLT, SOCKET HEAD	5	
6	91316-06060-00	BOLT	3	
7	91316-06070-00	BOLT, SOCKET HEAD	3	
8	91316-06075-00	BOLT, SOCKET HEAD	1	
9	90430-12207-00	GASKET	1	
10	90340-12005-00	PLUG, DRAIN	1	
11	90116-10257-00	BOLT, STUD	2	M10-60L
12	90116-10258-00	BOLT, STUD	2	M10-70L
13	90179-10201-00	NUT	4	
14	99530-14016-00	PIN, DOWEL	2	
15	304-15128-00-00	HOLDER	1	
16	92501-08010-00	SCREW, PAN HEAD	1	
17	90116-08104-00	BOLT, STUD	6	M8-50L
18	3TN-11351-00-00	GASKET, CYLINDER	1	
19	2W6-11311-00-00	CYLINDER 1	1	
20	1W2-11181-00-00	GASKET, CYLINDER HEAD 1	1	
21	1W2-11111-00-00	HEAD, CYLINDER 1	1	
22	90201-08100-00	WASHER, PLATE	6	
23	95333-08600-00	NUT	6	
24	(CMP-N2G00-00-00)	CHAMPION N2G 10PK	1	
25	2A6-11127-00-00	ABSORBER 3	2	
26	2A6-11127-00-00	ABSORBER 3	2	
27	2N4-15371-00-00	BREATHER	1	
28	90445-07340-00	HOSE	1	
29	328-15316-00-00	DAMPER, ENG MOUNT 1 (328-15316-00)	2	

CONTINUED ON NEXT FRAME ➤

Initial Engine Number/Frame Number	2W6-000101 / 2W6-000101
Bore/Stroke/Number Cylinders/Displacement (cc)	66mm / 50mm / 1 / 171cc
Compression Ratio/Compression Pressure min ~ max	7.4:1 / φ

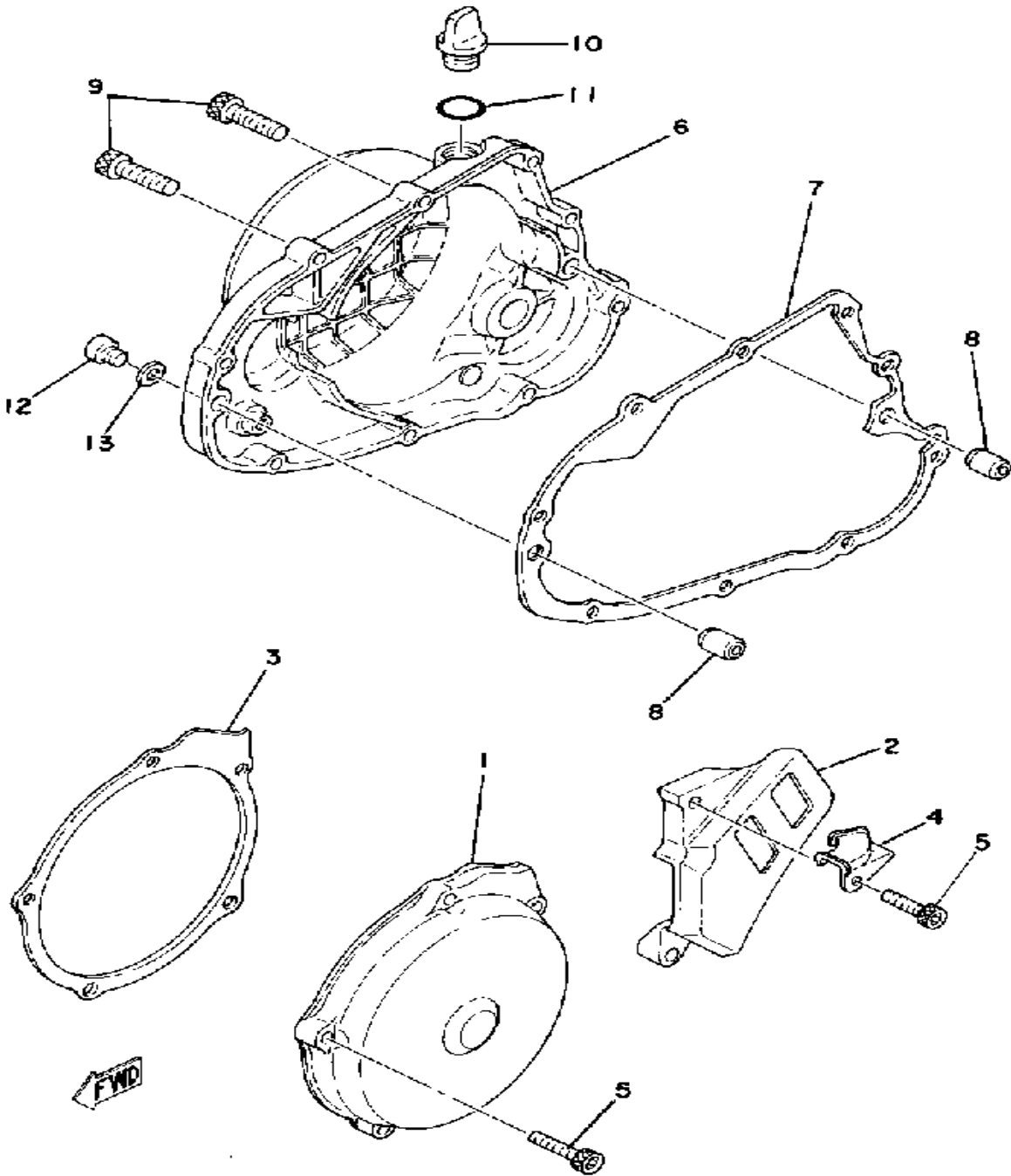
90890-01135-00 CRANKCASE SEPARATOR (ALL SINGLES)



CRANKCASE-CYLINDER

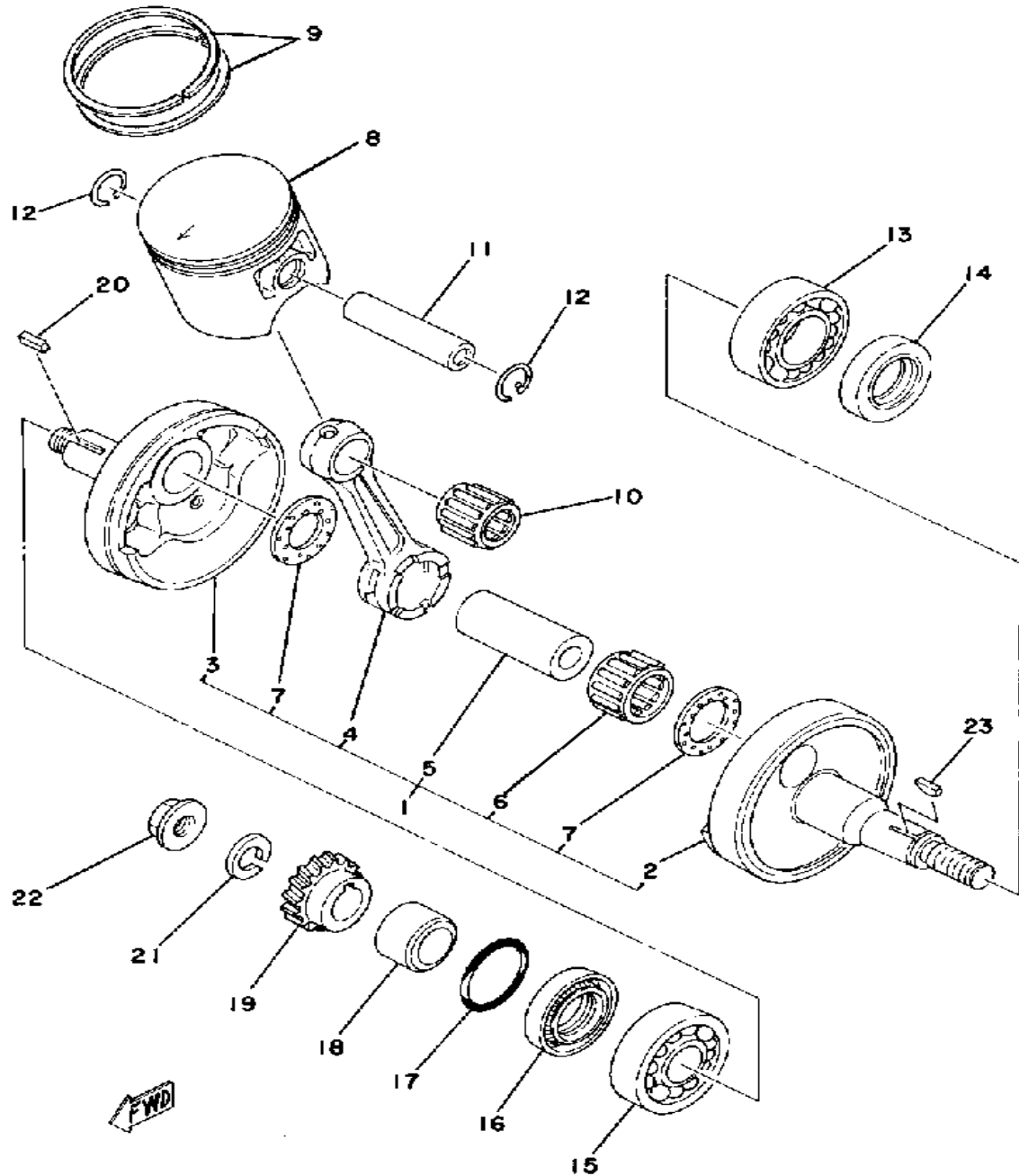
Ref. No.	Part Number	Description	Qty	Remarks
30	401-15317-00-00	SPACER, ENG MOUNT	1	
31	93210-11073-00	O-RING	2	
32	1W2-11161-00-00	ABSORBER 1	2	
33	(1W2-11162-00-00)	ABSORBER 2	1	
34	(1W2-11127-00-00)	ABSORBER 3	1	

CRANKCASE COVER



Ref. No.	Part Number	Description	Qty	Remarks
1	1W1-15411-00-00	COVER, CRANKCASE L	1	
2	1W1-15421-01-00	COVER, CRANKCASE R	1	
3	1W1-15455-00-00	GASKET 1	1	
4	90465-10119-00	CLAMP	1	
5	90110-06138-00	BOLT, HEX SKT HEAD	7	
6	1W1-15431-00-00	COVER, CRANKCASE 3	1	
7	18G-15451-01-00	GASKET, CRCS. COVER	1	
8	99530-10014-00	PIN, DOWEL	2	
9	90110-06138-00	BOLT, HEX SKT HEAD	9	
10	1G8-15362-00-00	PLUG, OIL LEVEL	1	
11	93210-14104-00	O-RING	1	
12	98506-06008-00	SCREW, PAN HEAD (92506-06008-00)	1	
13	90430-06016-00	GASKET	1	

TLU-90900-57-01 CRANKSHAFT INSTALLING SET (ALL SINGLES)

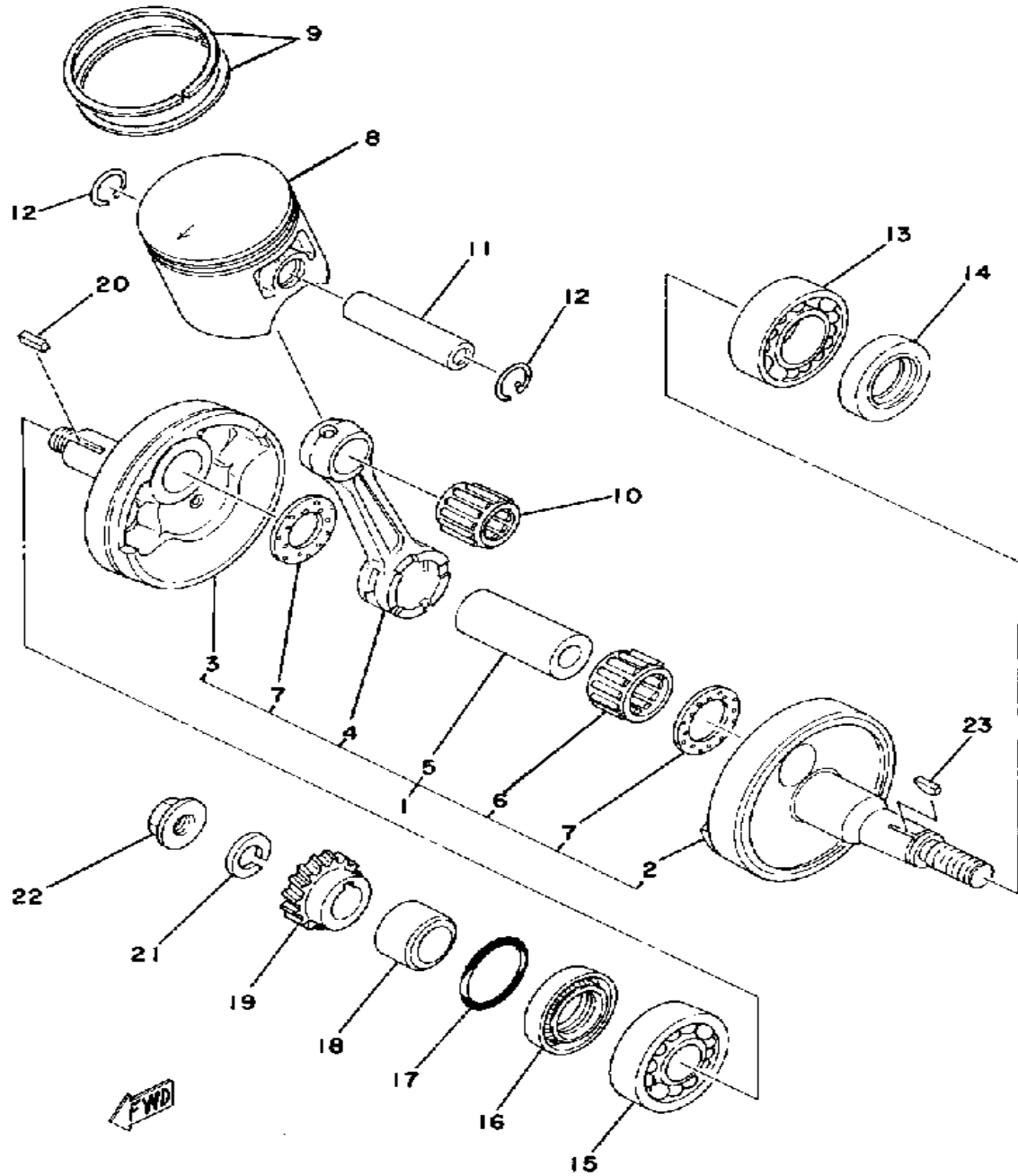


CRANK-PISTON

Ref. No.	Part Number	Description	Qty	Remarks
1	2K5-11400-00-00	CRANKSHAFT ASSEMBLY (1W1-11400-01)	1	
2	1W1-11412-01-00	. CRANK 1	1	
3	1W1-11422-01-00	. CRANK 2	1	
4	3R2-11651-01-00	. ROD, CONNECTING	1	
5	3M5-11681-00-00	. PIN, CRANK 1	1	
6	93310-422H0-00	. BEARING, CYLINDER.# 0	1	
7	90209-22248-00	. WASHER	2	
8	2W6-11635-00-00	PISTON 1 O/S 0.5	1	ALTERNATE PARTS
	2W6-11638-00-00	PISTON 4 O/S 1.0	1	ALTERNATE PARTS
	3R6-11631-00-96	PISTON STD	1	
	3R6-11636-00-00	PISTON 2 O/S 0.0	1	ALTERNATE PARTS
	3R6-11637-00-00	PISTON 3 O/S 0.5	1	ALTERNATE PARTS
9	3JM-11601-00-00	PISTON RING SET (STD)	1	
	3JM-11601-10-00	PISTON RING SET (0.25MM O/S)	1	ALTERNATE PARTS
	3JM-11601-20-00	PISTON RING SET (0.50MM O/S)	1	ALTERNATE PARTS
	43G-11601-30-00	PISTON RINGSET 3RD	1	ALTERNATE PARTS
	43G-11601-40-00	PISTON RINGSET 4TH	1	ALTERNATE PARTS
10	93310-216E1-00	BEARING	1	
11	251-11633-00-00	PIN, PISTON	1	
12	93450-17025-00	CIRCLIP	2	
13	93306-20529-00	BEARING (B6205C4)	1	
14	93103-25125-00	OIL SEAL, SW-TYPE	1	
15	93306-30421-00	BEARING (B6304C3)	1	
16	93103-28011-00	OIL SEAL	1	
17	93210-180A6-00	O-RING	1	
18	90387-20488-00	COLLAR	1	
19	1W1-16111-00-00	GEAR, PRI DRIVE	1	

CONTINUED ON NEXT FRAME ►

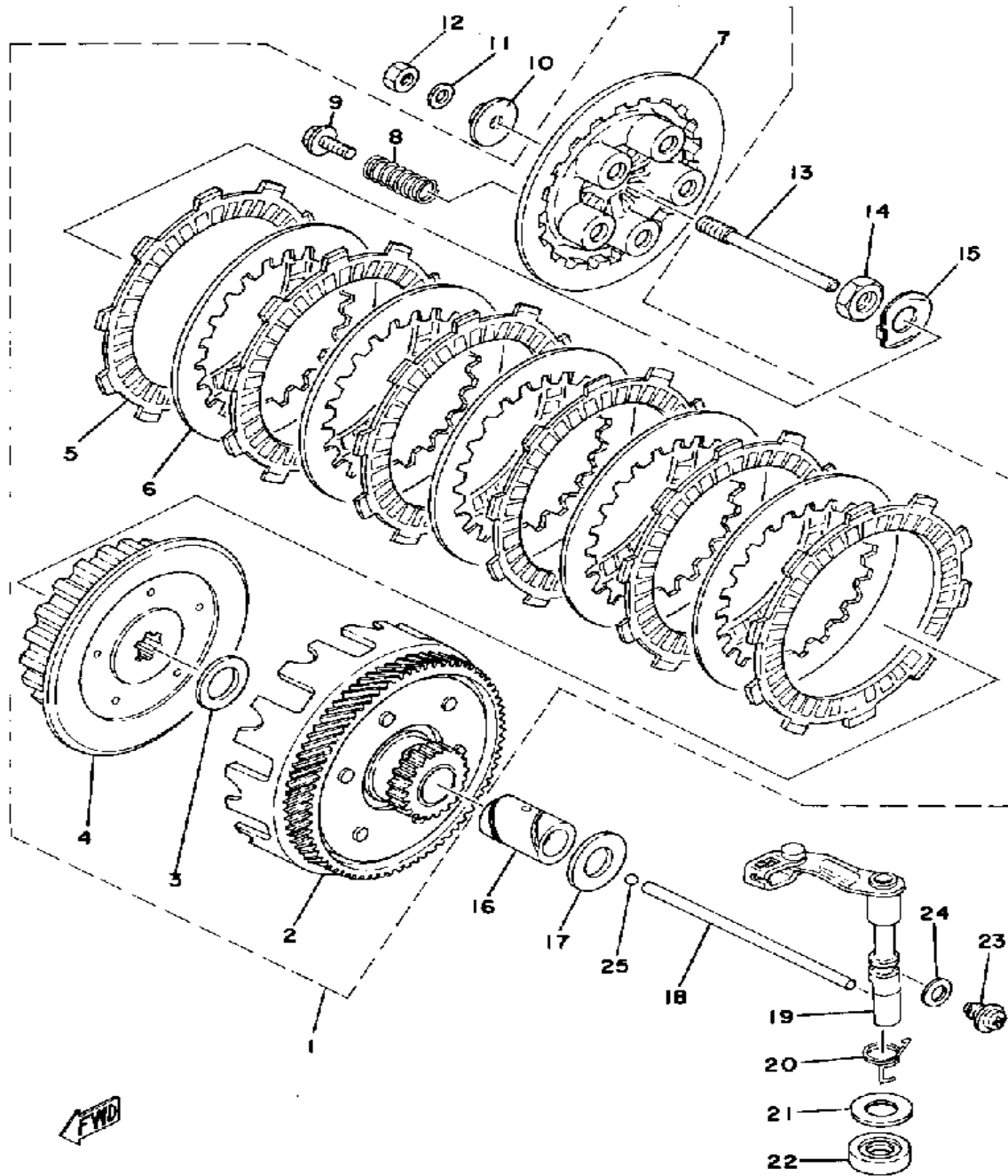
TLU-90900-57-01 CRANKSHAFT INSTALLING SET (ALL SINGLES)



CRANK-PISTON

Ref. No.	Part Number	Description	Qty	Remarks
20	90282-05005-00	KEY, STRAIGHT	1	
21	90204-12007-00	WASHER, SPRING	1	
22	90179-12244-00	NUT, SPEC'L SHAPE	1	
23	90280-03017-00	KEY, WOODRUFF	1	

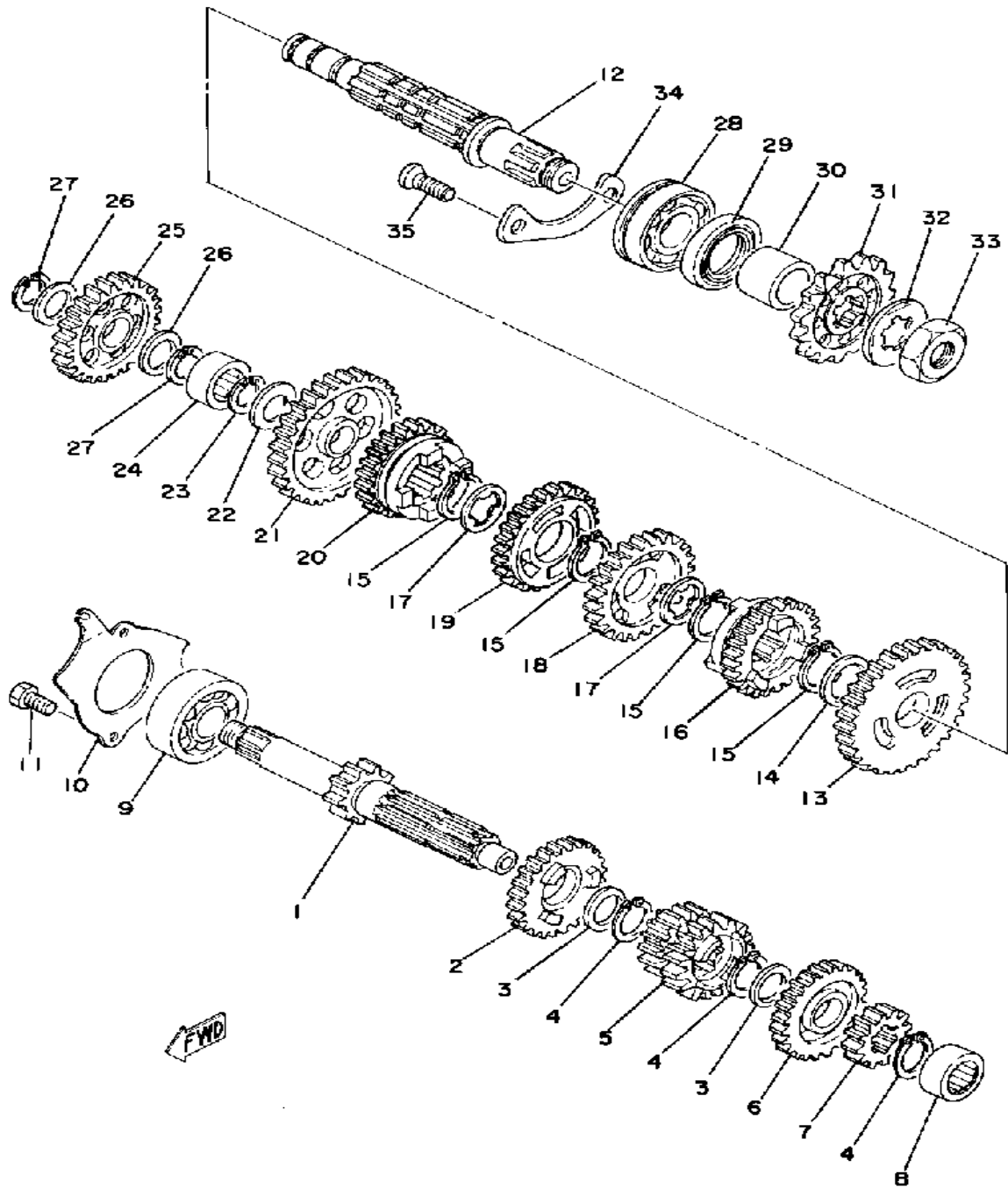
TLM-90910-42-00 CLUTCH HUB HOLDER (UNIVERSAL)



CLUTCH

Ref. No.	Part Number	Description	Qty	Remarks
1	(1W1-16301-01-00)	CLUTCH ASSEMBLY	1	
2	1W1-16150-01-00	. PRIMARY DRIVEN GEAR COMP. (71T)	1	
3	90201-174E1-00	. WASHER, PLATE	1	
4	1G8-16371-00-00	. BOSS, CLUTCH	1	
5	537-16321-00-00	. PLATE, FRICTION	6	
6	137-16325-70-00	. PLATE, CLUTCH 2	5	
7	1W1-16351-00-00	. PLATE, PRESSURE 1	1	
8	90501-20361-00	. SPRING, COMPRESSION	5	
9	90159-05011-00	. SCREW, WITH WASHER	5	
10	30X-16358-00-00	PLATE, PUSH	1	
11	92990-06200-00	WASHER	1	
12	95380-06600-00	NUT	1	
13	1W1-16356-02-00	ROD, PUSH 1	1	
14	90170-14171-00	NUT	1	
15	90215-14204-00	WASHER, LOCK	1	
16	90560-17147-00	SPACER	1	
17	90201-174E1-00	WASHER, PLATE	1	
18	1W1-16357-00-00	ROD, PUSH 2	1	
19	(1W1-16380-00-00)	PUSH LEVER ASSEMBLY	1	
20	90508-20345-00	SPRING, TORSION	1	
21	90201-14217-00	WASHER, PLATE	1	
22	93104-14059-00	OIL SEAL, SO-TYPE	1	
23	90149-08108-00	SCREW, SPEC'L SHAPE	1	
24	90430-08069-00	GASKET	1	
25	93503-16010-00	BALL	1	

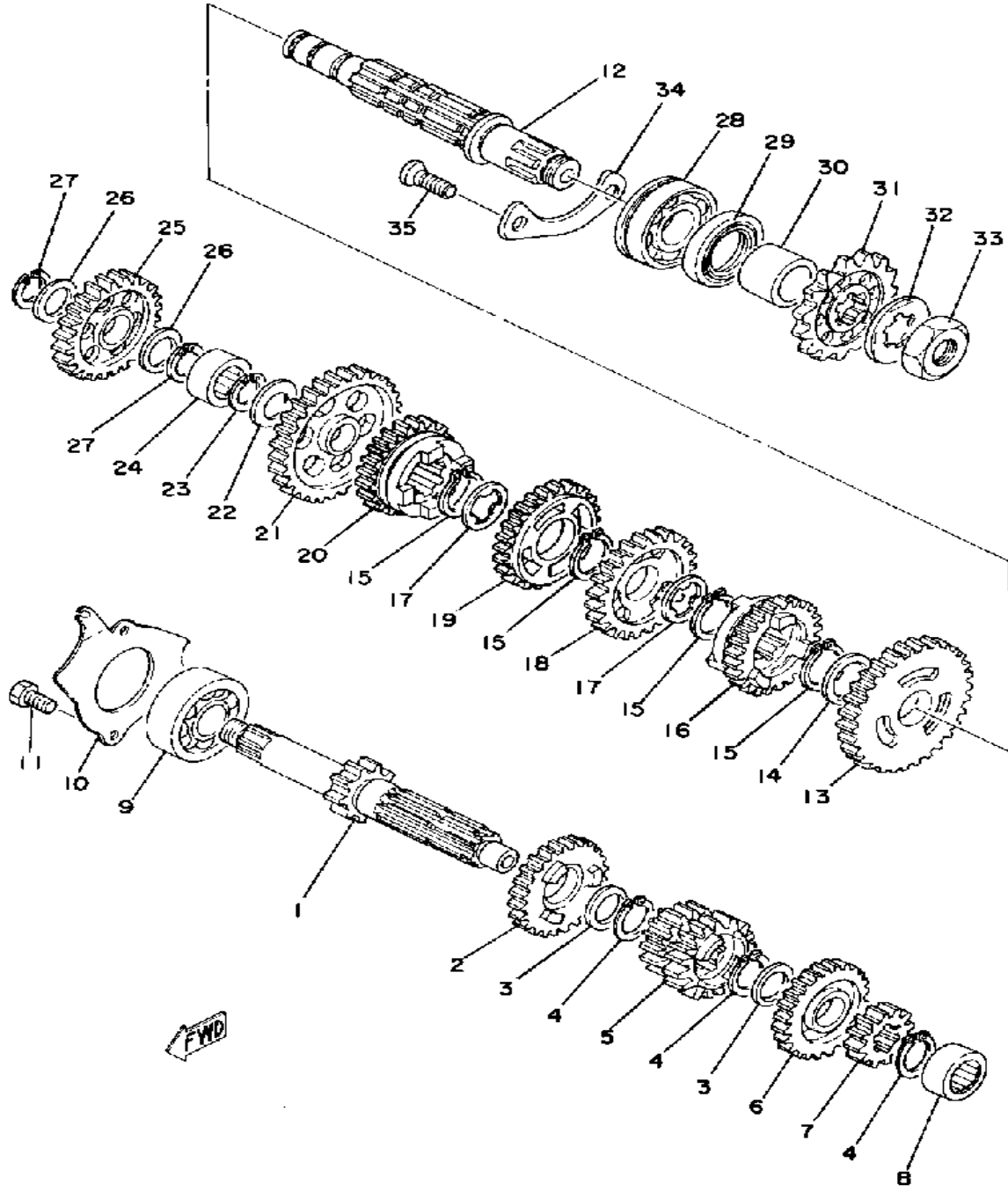
TRANSMISSION



Ref. No.	Part Number	Description	Qty	Remarks
1	1W2-17411-00-00	AXLE, MAIN	1	
2	1W2-17151-00-00	GEAR, 5TH PINION	1	
3	90201-20266-00	WASHER, PLATE (1.0T)	2	
4	93410-20038-00	CIRCLIP	3	
5	2W6-17131-01-00	GEAR, 3RD PINION	1	
6	1W2-17161-00-00	GEAR, 6TH PINION	1	
7	1W2-17121-00-00	GEAR, 2ND PINION	1	
8	93311-41530-00	BEARING	1	
9	93306-30309-00	BEARING	1	
10	1W1-17471-01-00	PLATE, COVER	1	
11	97013-06012-00	BOLT	2	
12	1W1-17421-00-00	AXLE, DRIVE	1	
13	1W2-17221-01-00	GEAR, 2ND WHEEL	1	
14	90201-22555-00	WASHER, PLATE	1	
15	93410-22039-00	CIRCLIP	4	
16	1W2-17261-00-00	GEAR, 6TH WHEEL	1	
17	90209-18135-00	WASHER	2	
18	1W2-17241-00-00	GEAR, 4TH WHEEL	1	
19	2W6-17231-01-00	GEAR, 3RD WHEEL	1	
20	2W6-17251-01-00	GEAR, 5TH WHEEL	1	
21	1W2-17211-01-00	GEAR, 1ST WHEEL	1	
22	90201-15701-00	WASHER, PLATE (1.0T)	1	
23	93440-15012-00	CIRCLIP	1	
24	93311-31567-00	BEARING, CYLINDRICAL	1	
25	525-15651-00-00	GEAR, KICK IDLE (25T)	1	
26	137-17417-00-05	SHIM 1 (0.5T)	2	
27	93440-15012-00	CIRCLIP	2	
28	93306-30411-00	BEARING (B6304)	1	
29	93102-26042-00	OIL SEAL	1	

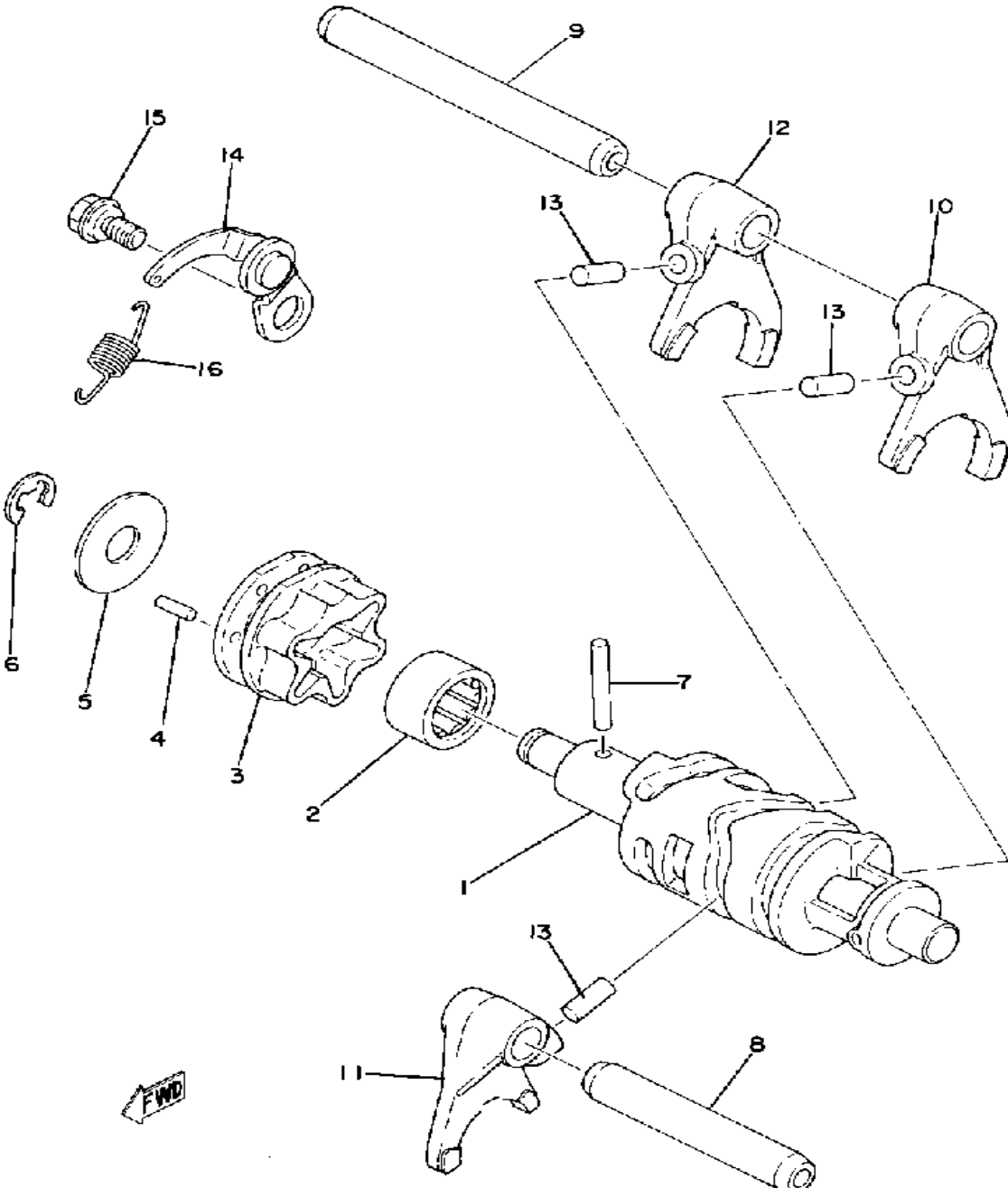
CONTINUED ON NEXT FRAME ➤

TRANSMISSION



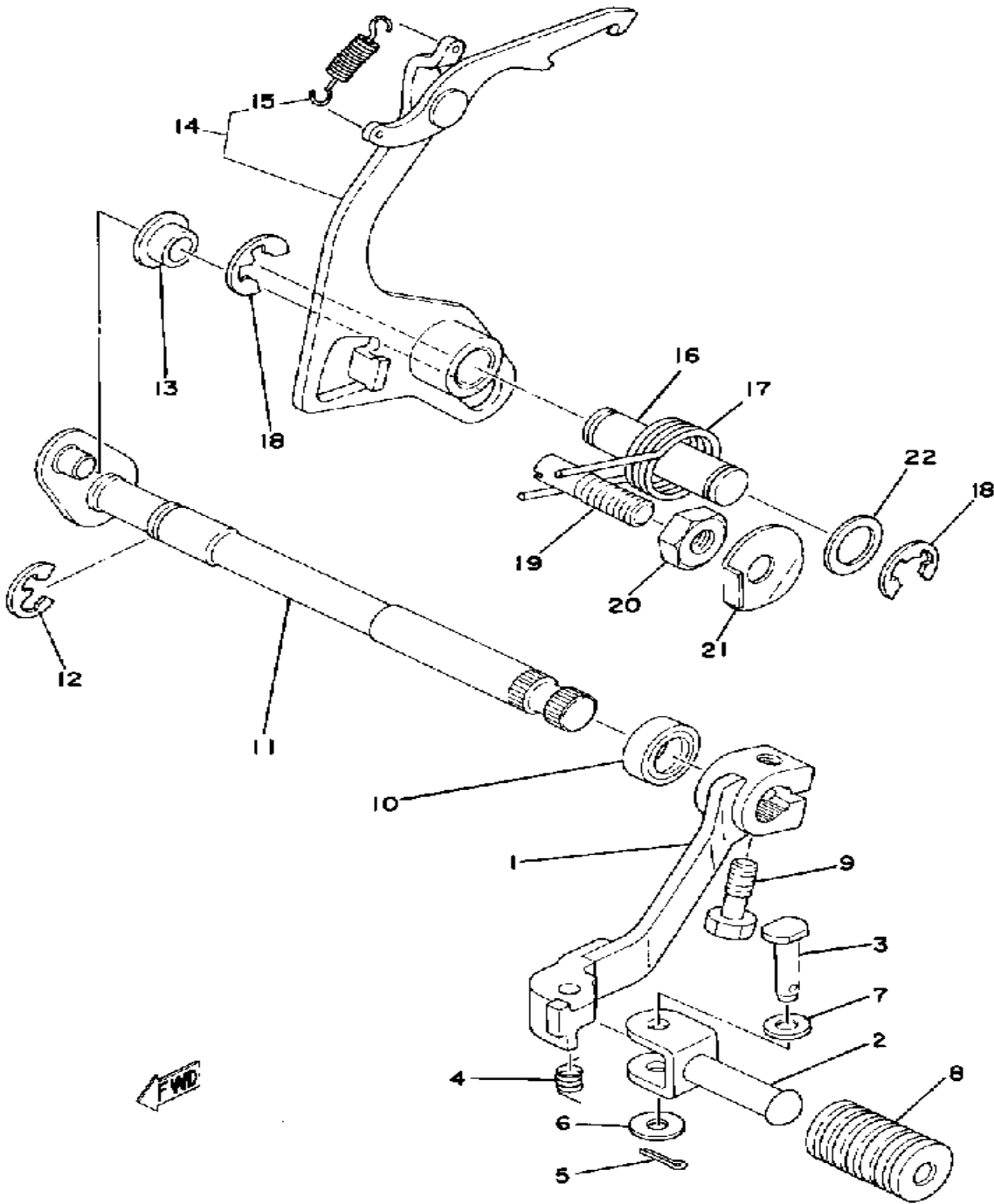
Ref. No.	Part Number	Description	Qty	Remarks
30	90387-202A0-00	COLLAR	1	
31	93832-11007-00	SPROCKET, DRIVE 11T	1	
	93832-12014-00	SPROCKET, DRIVE	1	STD
	93832-13027-00	SPROCKET, DRIVE	1	
32	90215-16127-00	WASHER, LOCK	1	
33	90179-16226-00	NUT	1	
34	1W1-15381-00-00	PLATE, BRNG COVER	1	
35	98603-06012-00	SCREW, OVAL HEAD (92701-06012)	2	

SHIFTER 1



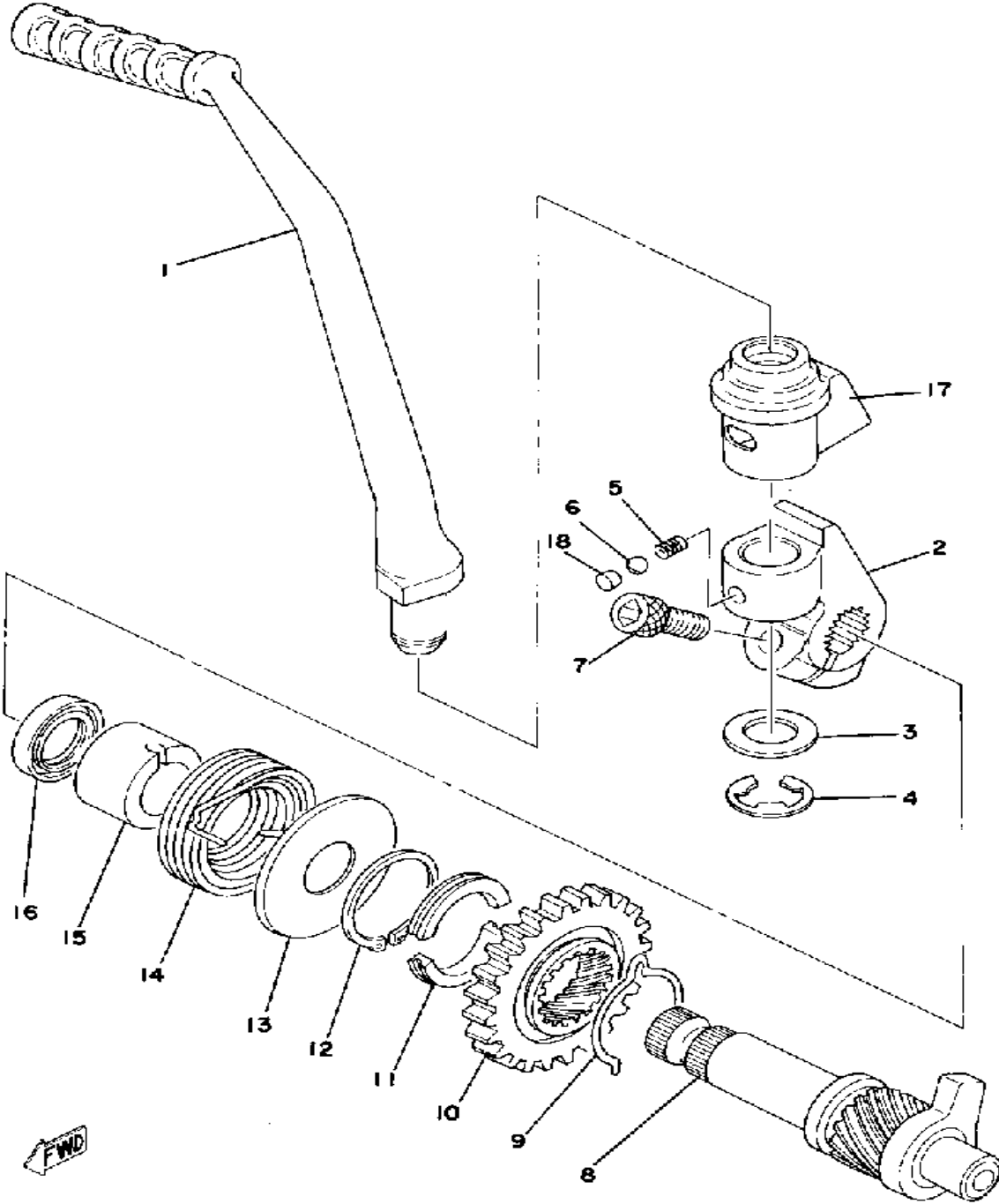
Ref. No.	Part Number	Description	Qty	Remarks
1	(2W6-18540-00-00)	SHIFT CAM ASSEMBLY	1	
2	93315-21813-00	BEARING	1	
3	1W1-18185-00-00	SEGMENT	1	
4	93604-12037-00	PIN, DOWEL	6	
5	1W1-18561-00-00	PLATE, SIDE 1	1	
6	99001-08600-00	CIRCLIP	1	
7	93604-30018-00	PIN, DOWEL	1	
8	2A6-18531-00-00	BAR, SHIFT FORK GUIDE 1	1	
9	2A6-18535-00-00	BAR, SHIF FRK GDE 2	1	
10	2W6-18511-00-00	FORK, SHIFT 1	1	
11	2W6-18512-00-00	FORK, SHIFT 2	1	
12	2W6-18513-00-00	FORK, SHIFT 3	1	
13	90250-06013-00	PIN, STRAIGHT	3	
14	1W1-18140-00-00	STOPPER LEVER ASSEMBLY	1	
15	50W-21631-00-00	BOLT 1	1	
16	90506-09156-00	SPRING, TENSION	1	

SHIFTER 2



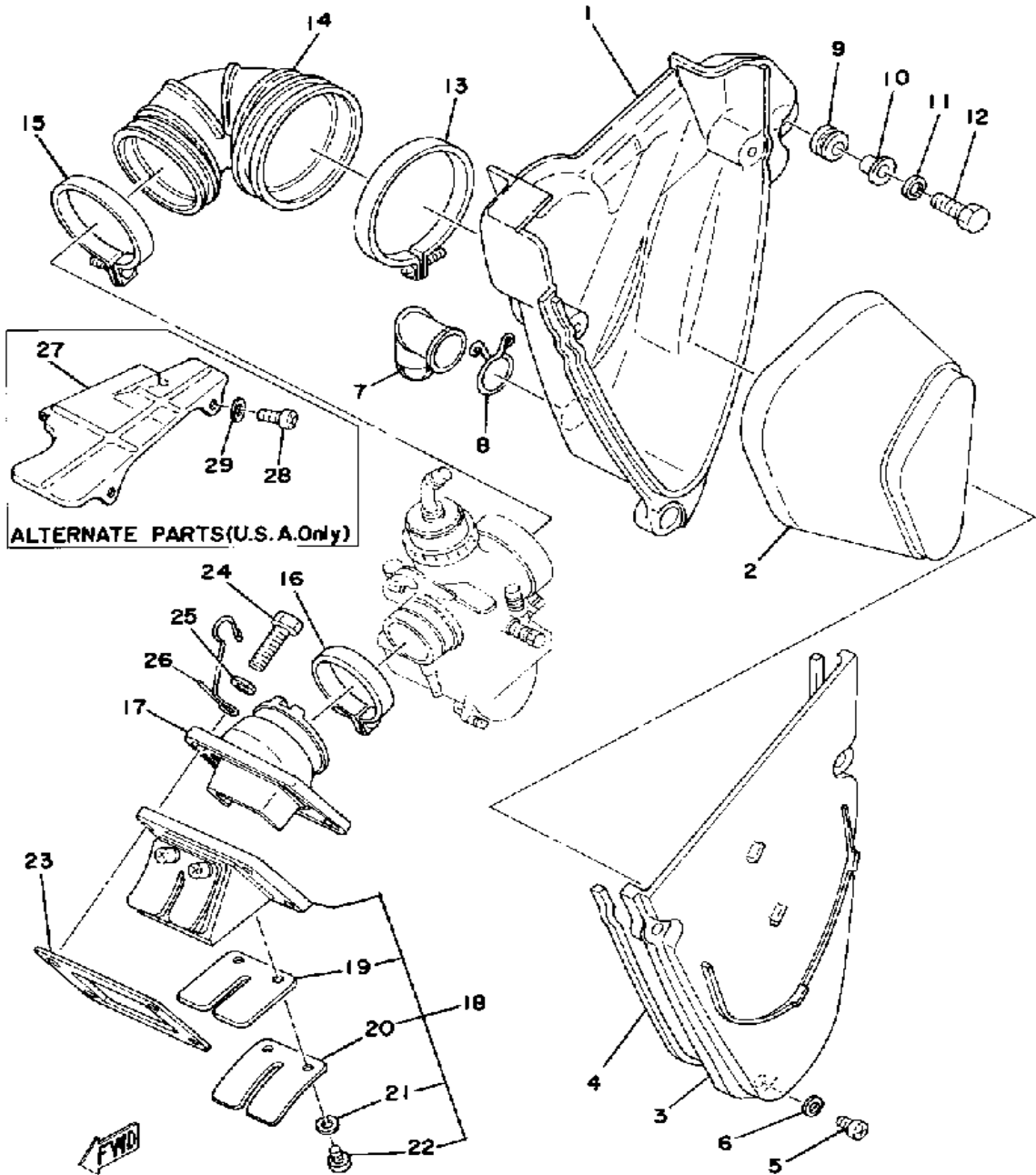
Ref. No.	Part Number	Description	Qty	Remarks
1	2HF-18110-01-00	SHIFT PEDAL ASSEMBLY	1	YAMAHA BLACK
2	1W6-18162-00-00	PEDAL, SHIFT	1	
3	90240-06057-00	PIN, CLEVIS	1	
4	90508-16351-00	SPRING, TORSION	1	
5	91490-20020-00	PIN, COTTER	1	
6	92990-06200-00	WASHER	1	
7	92901-06600-00	WASHER	1	
8	1W6-18113-00-00	COVER, SHIFT PEDAL	1	1
9	97011-06020-00	BOLT	1	
10	93101-12060-00	OIL SEAL	1	
11	1W1-18101-03-00	SHIFT SHAFT ASSEMBLY 1	1	
12	99006-10600-00	CIRCLIP	1	
13	401-18178-00-00	ROLLER, SHIFT LEVER	1	
14	4F2-18120-00-00	SHIFT LEVER ASSEMBLY (2A6-18120-00)	1	
15	90506-08155-00	SPRING, TENSION	1	
16	1W1-18197-01-00	SHAFT	1	
17	90508-32349-00	SPRING, TORSION	1	
18	99006-10600-00	CIRCLIP	2	
19	90149-08111-00	SCREW, SPEC'L SHAPE	1	
20	90170-08029-00	NUT	1	
21	90215-08014-00	WASHER, LOCK	1	
22	90201-12M34-00	WASHER, PLATE	1	

KICK STARTER



Ref. No.	Part Number	Description	Qty	Remarks
1	1W1-15620-01-00	KICK CRANK ASSEMBLY (1W1-15611-02-33)	1	YAMAHA BLACK
2	1W1-15621-01-00	BOSS, KICK CRANK	1	
3	90201-12541-00	WASHER, PLATE	1	
4	93430-08007-00	CIRCLIP	1	
5	90501-10459-00	SPRING, COMPRESSION	1	
6	93503-16010-00	BALL	1	
7	91316-08025-00	BOLT, SOCKET HEAD	1	
8	1W1-15660-00-00	KICK AXLE ASSEMBLY	1	
9	90468-26048-00	CLIP	1	
10	1W1-15641-00-00	GEAR, KICK (27T)	1	
11	248-15654-00-00	HOLDER, KICK GEAR	2	
12	99009-30400-00	CIRCLIP	1	
13	401-15676-00-00	COVER, SPRING	1	
14	90508-26346-00	SPRING, TORSION	1	
15	1W1-15666-00-00	SPACER	1	
16	93101-17062-00	OIL SEAL	1	
17	1W1-15618-01-00	COVER, KICK LEVER	1	
18	90336-06030-00	PLUG, TAPER	1	

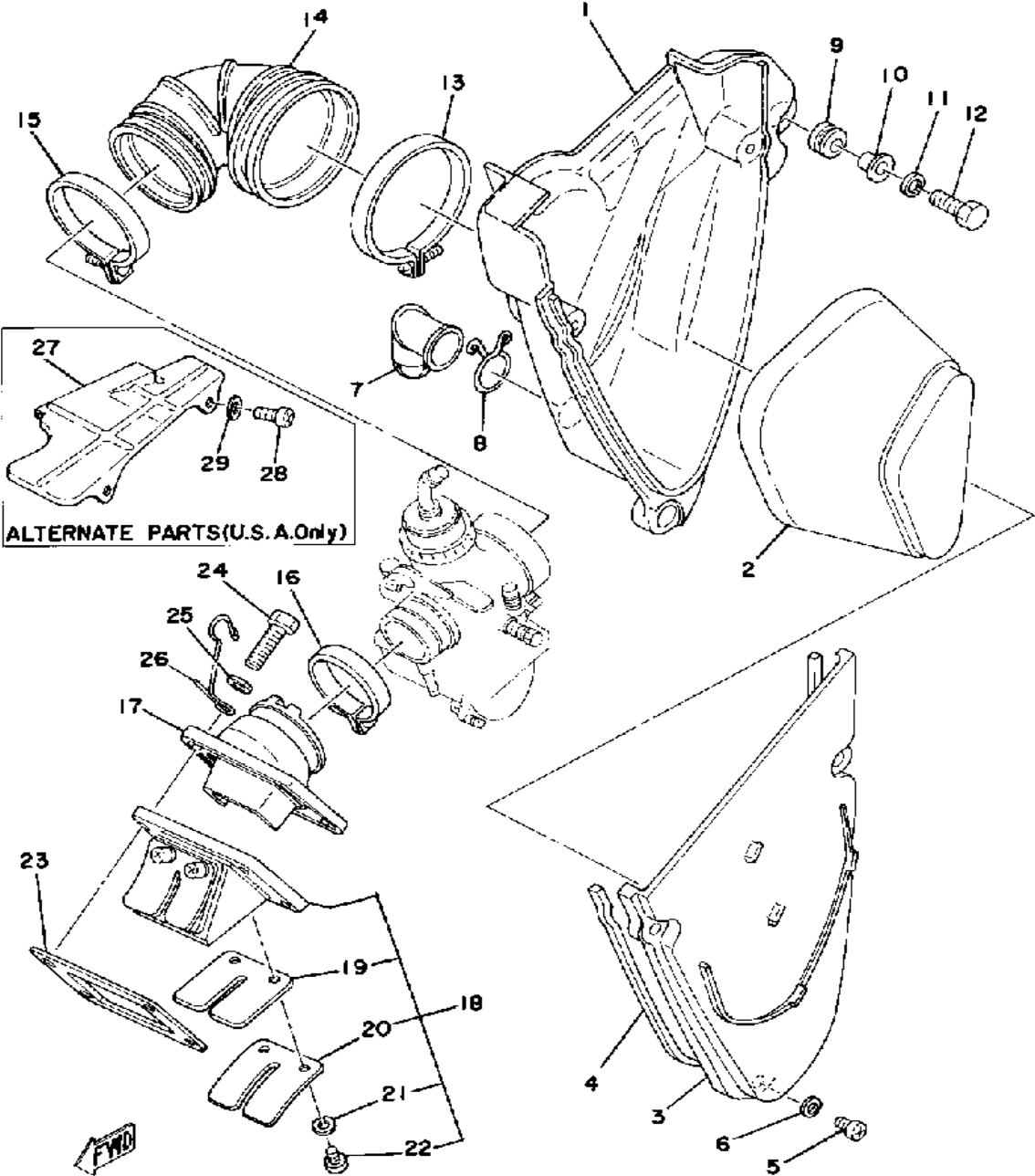
INTAKE



Ref. No.	Part Number	Description	Qty	Remarks
1	(2W6-14411-00-00)	CASE, AIR CLEANER 1	1	
2	1W1-14450-02-00	ELEMENT ASSEMBLY (1W1-14450-01)	1	
3	1W2-14412-02-00	CAP, CLEANER CASE 1	1	
4	3V6-14416-00-00	GASKET, AIR CLEANER	1	
5	98511-06025-00	SCREW PAN HEAD (92501-06025)	3	
6	92901-06600-00	WASHER	3	
7	1W1-14457-01-00	SEAL	1	
8	90467-20030-00	CLIP	1	
9	90480-14023-00	GROMMET	3	
10	90387-07391-00	COLLAR	3	
11	92995-06100-00	WASHER, SPRING	3	
12	97011-06025-00	BOLT (97001-06025)	3	
13	90460-77016-00	CLAMP, HOSE	1	
14	(1W1-14453-00-00)	JOINT, AIR CLNR 1	1	
15	90460-64065-00	CLAMP, HOSE	1	
16	90460-49058-00	CLAMP, HOSE	1	
17	1W1-13565-00-00	JOINT, CARBURETOR	1	
18	10V-13610-01-00	REED VALVE ASSEMBLY (885-13610-00)	1	
19	10V-13613-01-00	. REED, VALVE (1L8-13613-00)	2	
20	1UA-13616-00-00	. STOPPER REED VALVE VALVE (10V-13616-01)	2	
21	92990-03100-00	. WASHER, SPRING (92901-03100)	4	
22	98580-03008-00	. SCREW, PAN HEAD	4	
23	3TT-13621-00-00	GASKET, VALVE SEAT	1	
24	97011-06025-00	BOLT (97001-06025)	4	
25	92901-06600-00	WASHER	4	

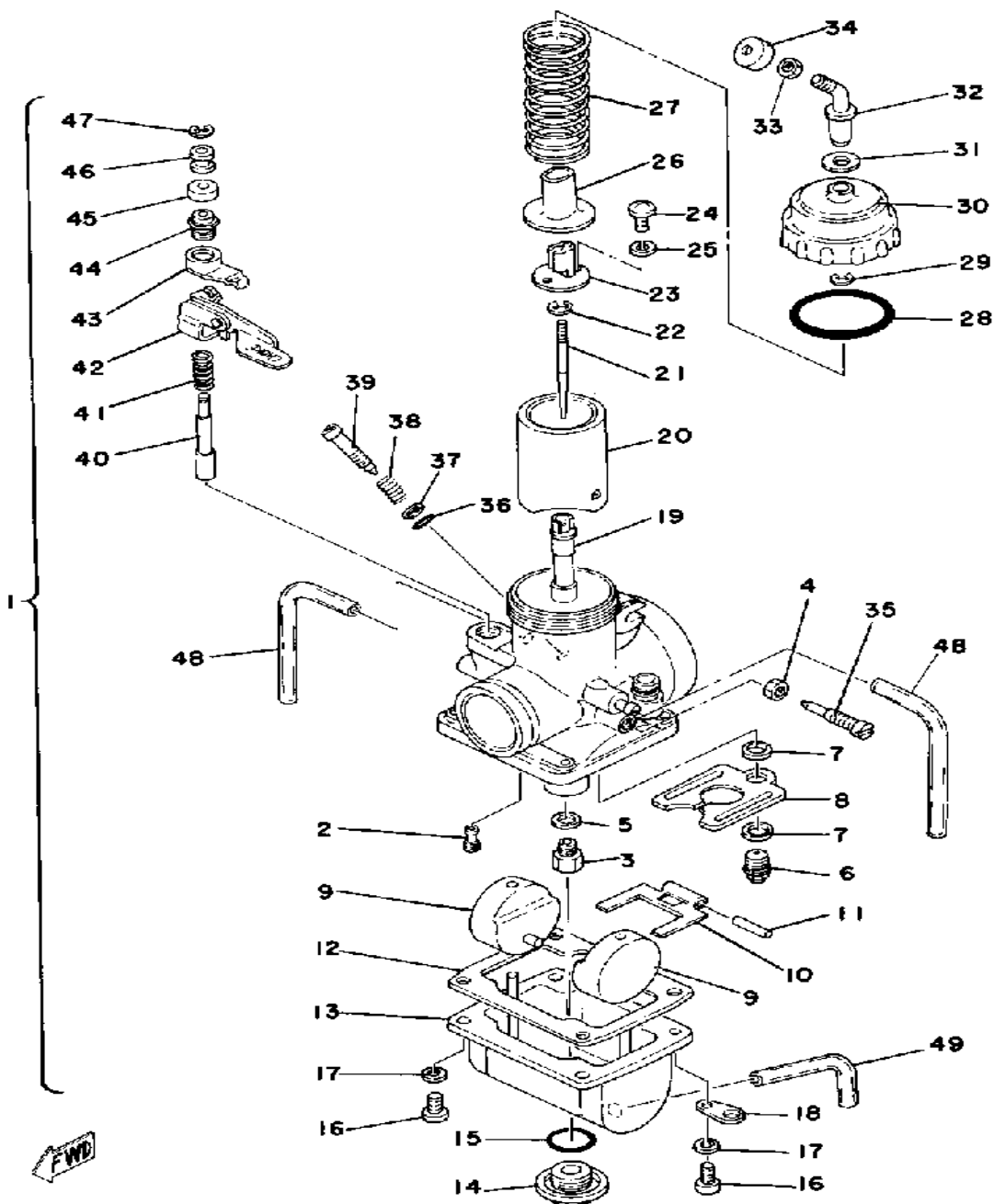
CONTINUED ON NEXT FRAME ➤

INTAKE



Ref. No.	Part Number	Description	Qty	Remarks
26	(90462-20034-00)	CLAMP	1	
27	(2W6-14477-00-00)	PLATE	1	
28	98580-06012-00	SCREW, PAN HEAD	2	
29	92901-06600-00	WASHER	2	

CARBURETOR

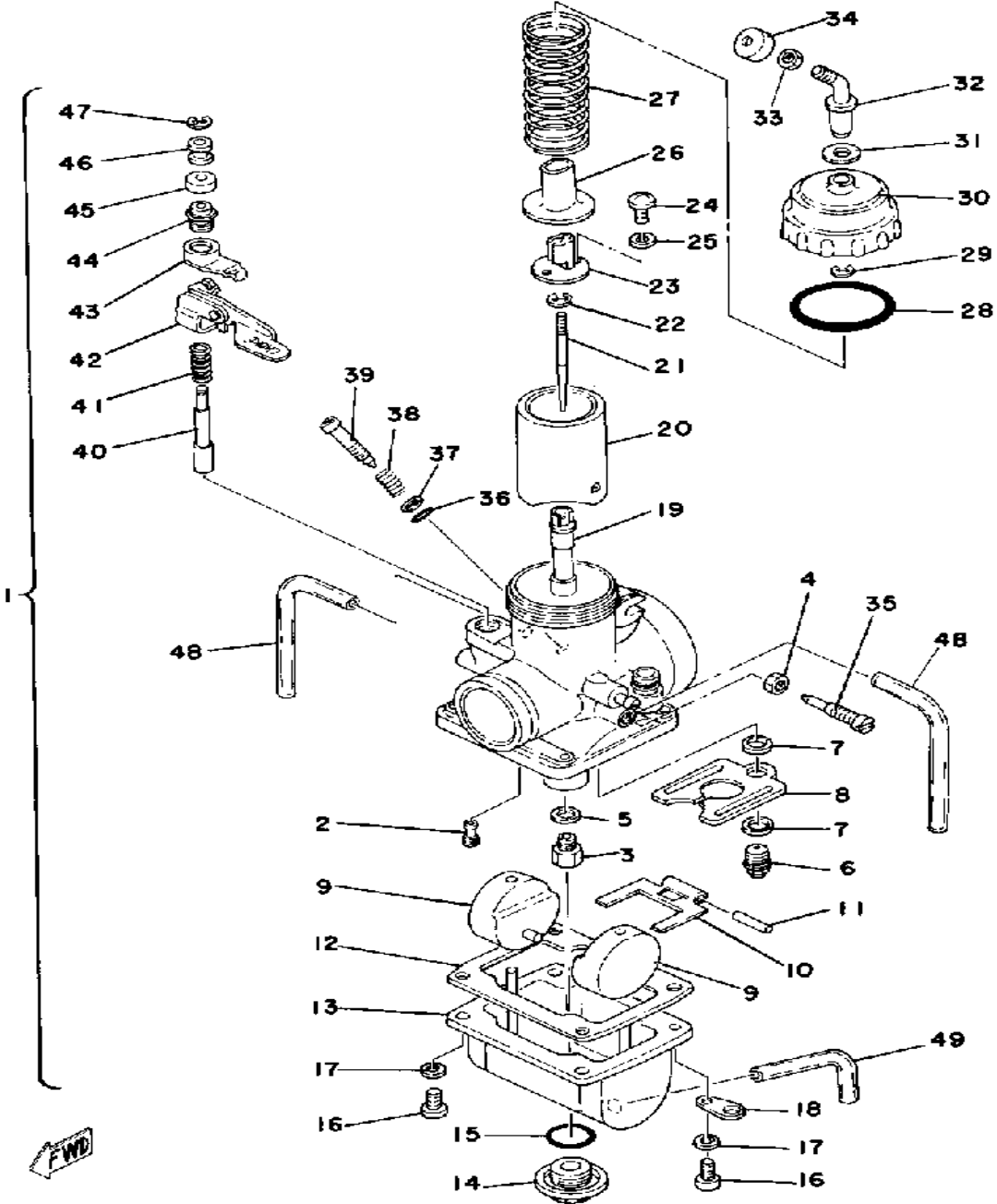


Ref. No.	Part Number	Description	Qty	Remarks
1	(2W6-14101-00-00)	CARBURETOR ASSEMBLY 1	1	
2	193-14142-70-00	. JET, PILOT (# 70)	1	
3	137-14143-70-00	. JET, MAIN (#350)	1	
	137-14143-72-00	. JET, MAIN (#360)	1	STD
	137-14143-74-00	. JET, MAIN (#370)		
4	802-14161-00-00	. NUT, CABLE ADJUSTING	1	
5	(1G8-14153-00-00)	WASHER, MAIN JET	1	
6	24X-14107-33-00	. NEEDLE VALVE SET (#3.3)	1	
7	239-14195-00-00	. WASHER, NEEDLE VALVE	2	
8	483-14146-00-00	. PLATE	1	
9	310-14185-00-00	. FLOAT	2	
10	310-14187-00-00	. ARM, FLOAT	1	
11	127-14186-00-00	. PIN, FLOAT	1	
12	483-14184-00-00	. GASKET, FLOAT CHMBR	1	
13	(310-14181-16-00)	BODY, FLOAT CHMBR 1	1	
14	500-14115-00-00	. PLUG, SCREW	1	
15	558-14147-00-00	. O-RING	1	
16	98580-05016-00	. SCREW, PAN HEAD	4	
17	92990-05100-00	. WASHER, SPRING	4	
18	313-14146-00-00	. PLATE	2	
19	239-14141-44-00	. NOZZLE, MAIN P 4	1	
20	(509-14112-20-00)	VALVE, THROTTLE 1	1	
21	239-14116-21-00	. NEEDLE (6F21-3)	1	
22	164-14137-00-00	. CLIP	1	
23	509-14274-00-00	. CONNECTOR	1	
24	98580-03008-00	. SCREW, PAN HEAD	2	
25	92990-03100-00	. WASHER, SPRING (92901-03100)	2	
26	509-14136-00-00	. SEAT, SPRING	1	

CARBURETOR - Mfr./Type/I.D. Number	Mikuni / VM34SS / 2W600
Main Jet/Pilot Jet	360 / 70
Needle Jet/Jet Needle-Clip Position	P-4 / 6F21-4
Slide Cutaway or Throttle Valve	2.0

CONTINUED ON NEXT FRAME ►

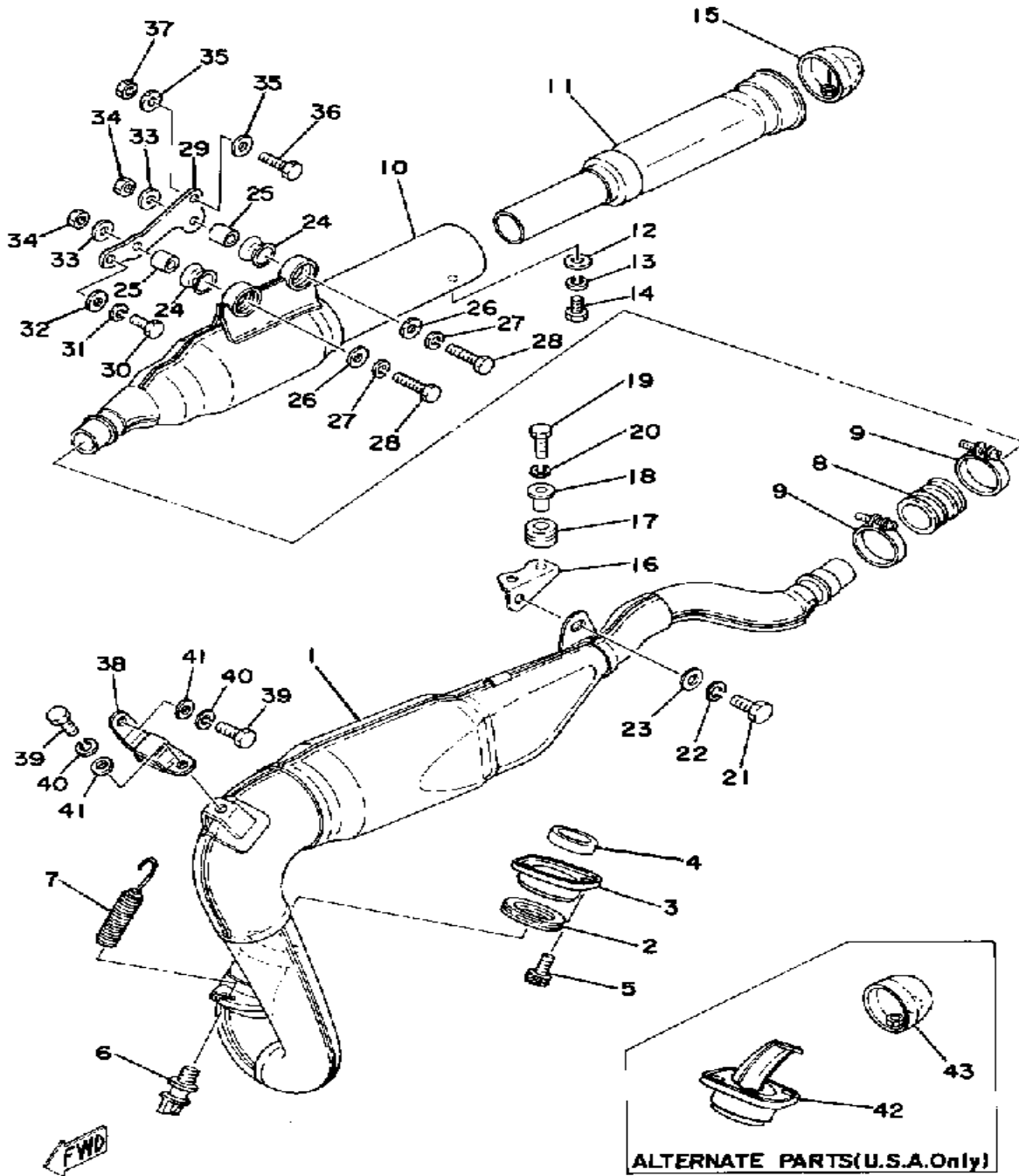
CARBURETOR



Ref. No.	Part Number	Description	Qty	Remarks
27	363-14131-00-00	. SPRING, THROTTLE VALVE	1	
28	93210-40289-00	. O-RING	1	
29	363-14137-00-00	. CLIP	1	
30	500-14158-00-00	. TOP, MIXING CHAMBER (500-14158-00-33)	1	
31	509-14198-00-00	. GASKET	1	
32	500-14155-00-00	. GUIDE, CABLE	1	
33	127-14161-00-00	. NUT, CABLE ADJUSTING	1	
34	1M1-14169-00-00	. CAP	1	
35	24X-14103-00-00	. THROTTLE SCREW SET	1	
36	812-14147-00-00	. O-RING	1	
37	812-14235-00-00	. WASHER, NEEDLE	1	
38	137-14134-00-00	. SPRING, AIR ADJUSTING	1	
39	1G8-14123-00-00	. SCREW, AIR ADJUSTING	1	
40	1W1-14171-00-00	. PLUNGER, STARTER	1	
41	256-14135-00-00	. SPRING, PLUNGER	1	
42	1W1-14175-01-00	. LEVER, STARTER 1	1	
43	275-14178-00-00	. PLATE, STARTER LVR	1	
44	802-14174-00-00	. CAP, PLUNGER	1	
45	802-14173-00-00	. COVER, PLUNGER CAP	1	
46	583-14918-00-00	. RING	1	
47	737-14137-00-00	. CLIP	1	
48	310-14197-00-00	. PIPE, AIRVENT	2	
49	2J2-14196-00-00	. PIPE	1	

CARBURETOR - Mfr./Type/I.D. Number	Mikuni / VM34SS / 2W600
Main Jet/Pilot Jet	360 / 70
Needle Jet/Jet Needle-Clip Position	P-4 / 6F21-4
Slide Cutaway or Throttle Valve	2.0

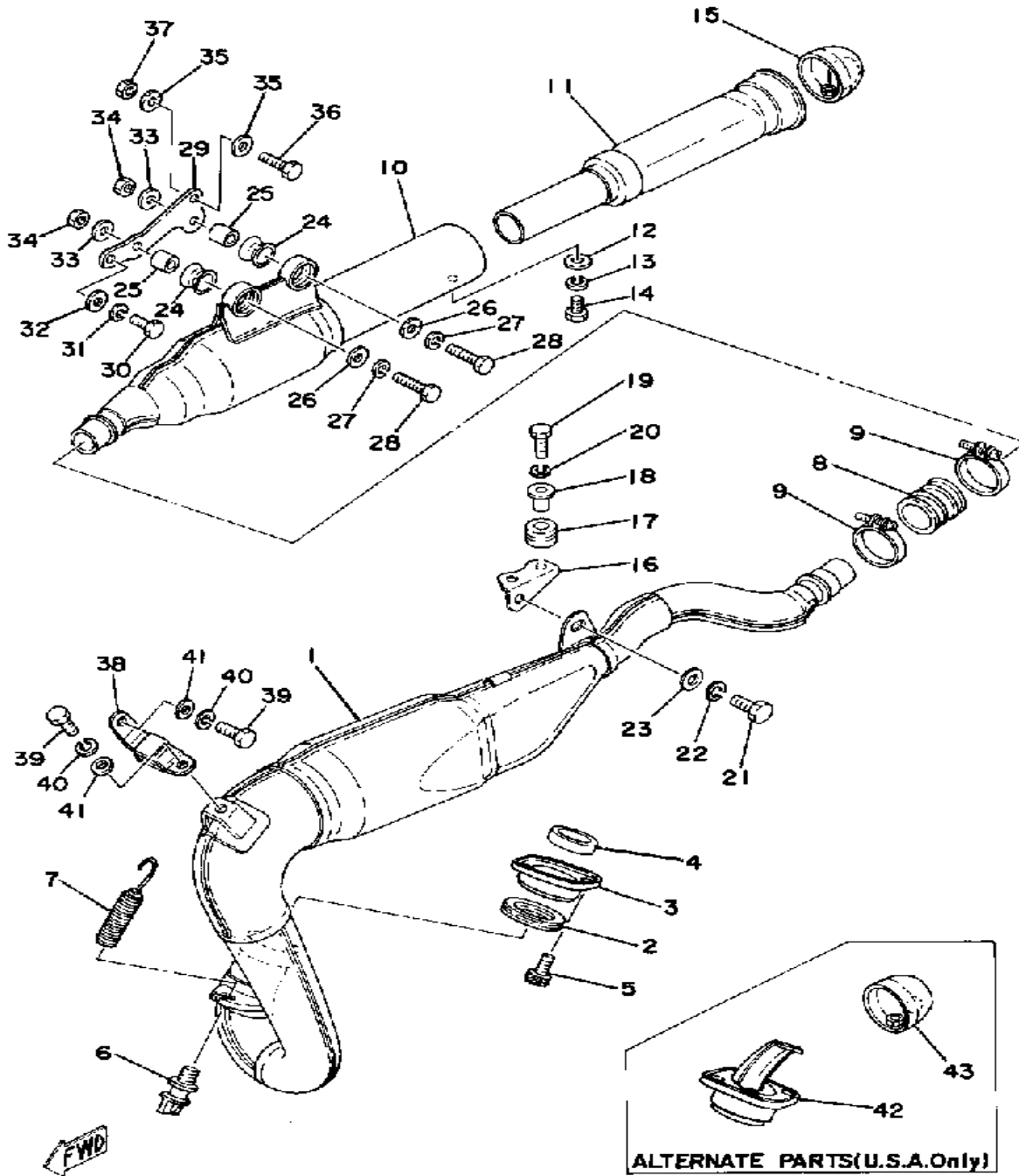
EXHAUST



Ref. No.	Part Number	Description	Qty	Remarks
1	(2W6-14610-00-00)	EXHAUST PIPE ASSEMBLY L	1	
2	248-14623-00-00	GASKET, EXST PIPE	1	
3	(1L8-14612-00-00)	NUT, RING	1	
4	152-14613-00-00	GASKET, EXST PIPE	1	
5	91316-06016-00	BOLT, SOCKET HEAD	2	
6	409-14684-00-00	BOLT, HOOK	1	
7	90507-20012-00	SPRING, TENSION (145-14683-00)	1	
8	1W2-14714-00-00	GASKET, MUFFLER	1	
9	90460-37026-00	CLAMP, HOSE	2	
10	(2W6-14753-00-00)	SILENCER, EXHAUST	1	
11	1W2-14752-00-00	PIPE, OUTLET	1	
12	92990-06600-00	WASHER, PLATE	1	
13	92995-06100-00	WASHER, SPRING	1	
14	97013-06012-00	BOLT	1	
15	1W2-14787-00-00	CAP, SILENCER	1	
16	1W2-14771-10-00	STAY, MUFFLER 1	1	
17	90480-14023-00	GROMMET	2	
18	90387-06388-00	COLLAR	2	
19	97011-06025-00	BOLT (97001-06025)	2	
20	92995-06100-00	WASHER, SPRING	2	
21	97313-08018-00	BOLT, HEXAGON (97301-08016)	1	
22	92990-08100-00	WASHER	1	
23	92901-08600-00	WASHER	1	
24	565-14747-00-00	DAMPER, MUFFLER	2	
25	90387-08258-00	COLLAR	2	
26	90201-08753-00	WASHER, PLATE	2	
27	92990-08100-00	WASHER	2	
28	97313-08035-00	BOLT, HEXAGON	2	

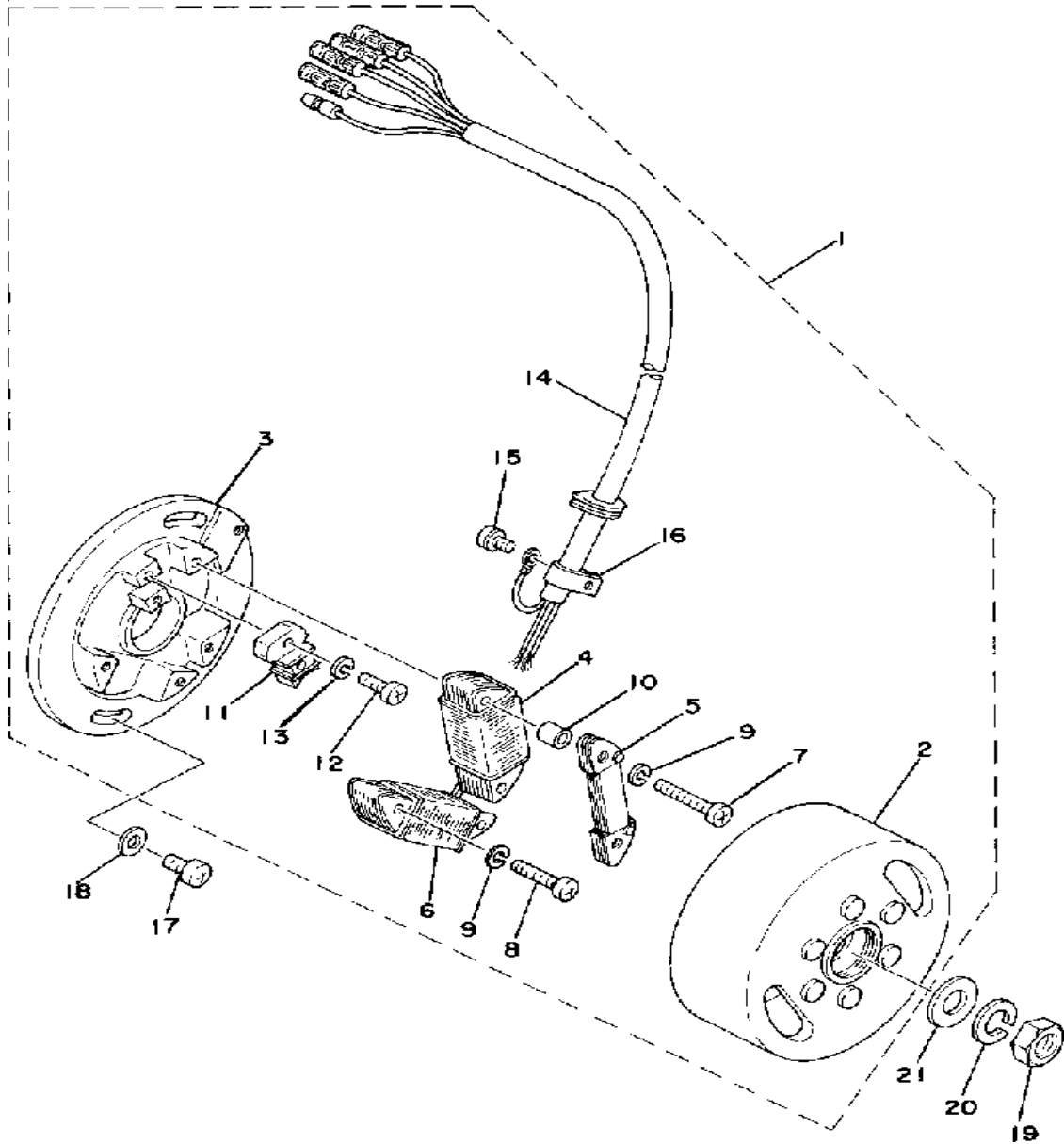
CONTINUED ON NEXT FRAME ►

EXHAUST



Ref. No.	Part Number	Description	Qty	Remarks
29	2W6-14781-00-00	STAY, MUFFLER 2	1	
30	97313-08020-00	BOLT, HEXAGON	1	
31	92990-08100-00	WASHER	1	
32	92901-08600-00	WASHER	1	
33	92990-08200-00	WASHER, PLAIN	2	
34	95303-08700-00	NUT	2	
35	90201-06067-00	WASHER, PLATE	2	
36	97021-06030-00	BOLT	1	
37	95601-06100-00	NUT, U	1	
38	1M1-14772-00-00	STAY, MUFFLER 2	1	
39	97011-06016-00	BOLT	2	
40	92995-06100-00	WASHER, SPRING	2	
41	92901-06600-00	WASHER	2	
42	(1W2-14612-10-00)	NUT, RING	1	ALT. PARTS
43	(1W2-14787-10-00)	CAP, SILENCER	1	ALT. PARTS

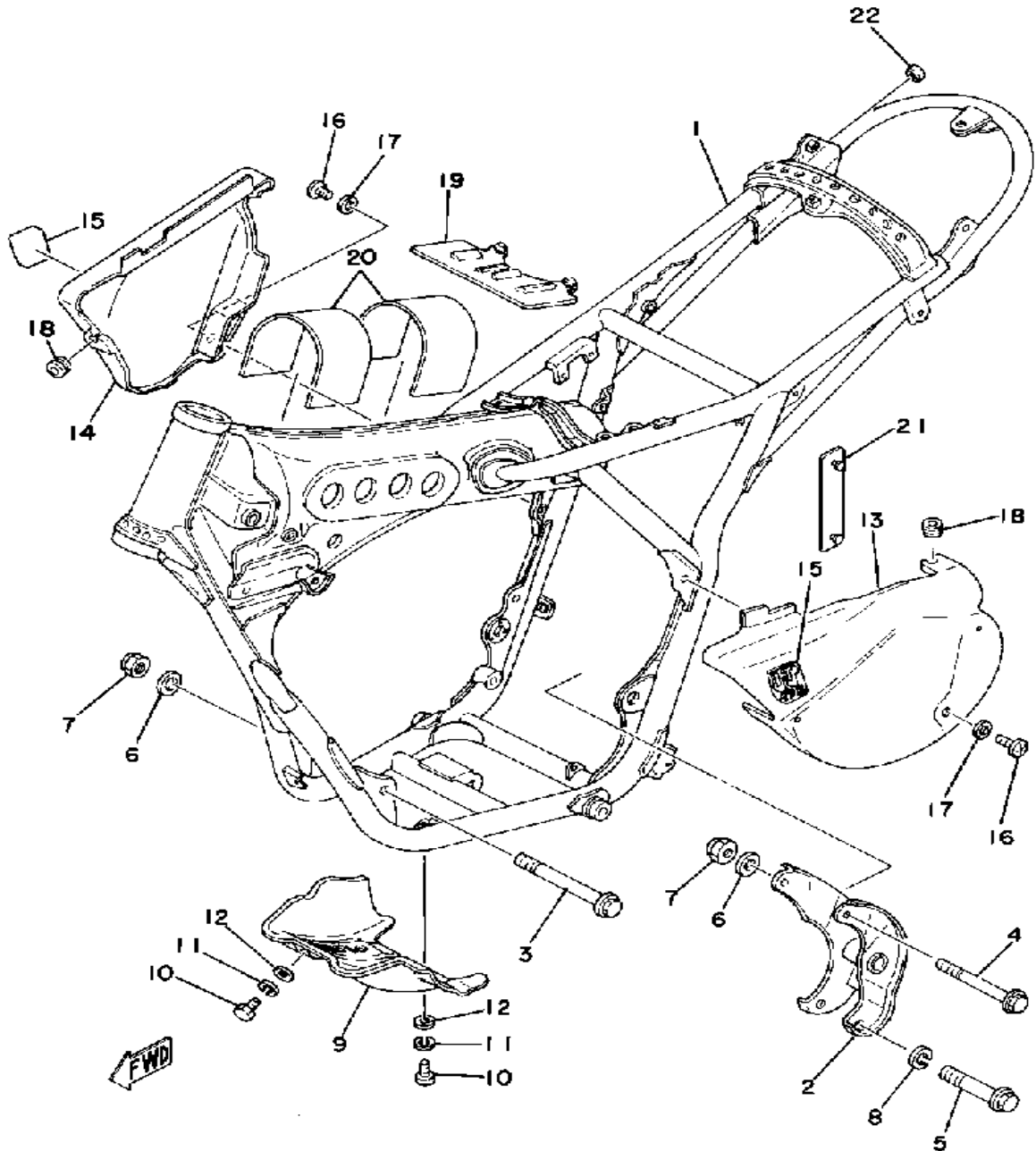
C - D - I - MAGNETO



Ref. No.	Part Number	Description	Qty	Remarks
1	2W6-85500-20-00	CDI MAGNETO ASSEMBLY	1	
2	(1W2-85550-20-00)	ROTOR ASSEMBLY	1	
3	1W2-85509-20-00	. BASE, MAGNETO	1	
4	2W6-85511-20-00	. COIL SOURCE 1	1	
5	2W6-85512-20-00	. COIL SOURCE 2	1	
6	1W2-85513-20-00	. COIL, LIGHTING 1	1	
7	98501-04035-00	. SCREW, PAN HEAD	2	
8	98511-04030-00	. SCREW, PAN HEAD	2	
9	92901-04100-00	. WASHER, SPRING	4	
10	1W2-85516-20-00	. SPACER	2	
11	4V6-85580-20-00	. COIL, PULSER	1	
12	98503-04014-00	. SCREW, PAN HEAD	2	
13	92901-04100-00	. WASHER, SPRING	2	
14	(2W6-85515-20-00)	LEAD WIRE ASSEMBLY	1	
15	97601-04106-00	. SCREW, PN/HD.W/WSHR	1	
16	445-81328-20-00	. CLAMP	1	
17	98503-06014-00	SCREW, PAN HEAD (92502-06016)	2	
18	92901-06600-00	WASHER	2	
19	90170-12347-00	NUT, HEXAGON	1	
20	92901-12100-00	WASHER, SPRING	1	
21	90201-12593-00	WASHER, PLATE	1	

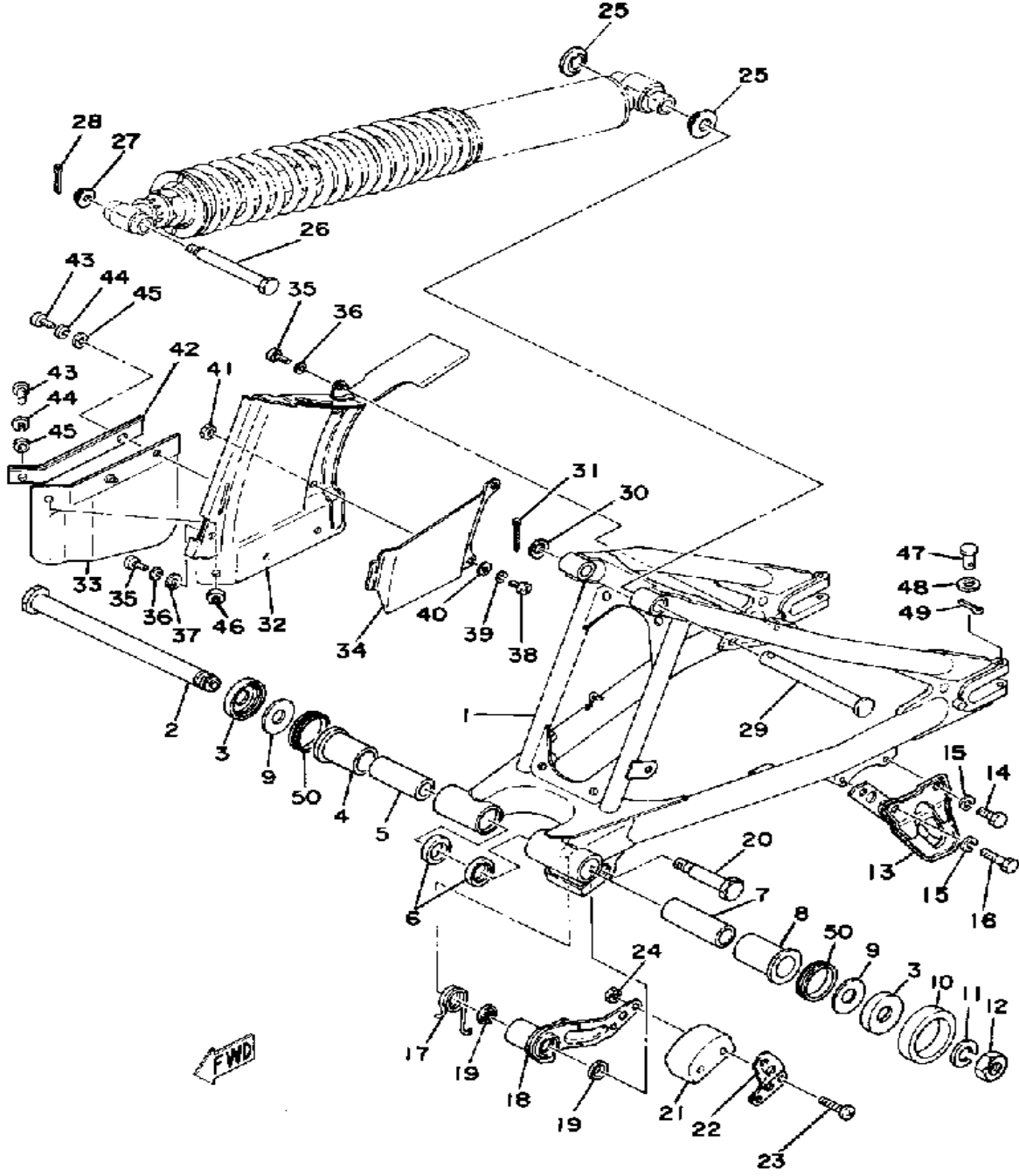
- 90890-01256-00 DIAL INDICATOR SPARK PLUG STAND, 14MM
- 90890-01189-00 MAGNETO FLYWHEEL PULLER (UNIVERSAL)
- 90890-03098-00 DIAL INDICATOR EXTENSION TIP (UNIVERSAL)
- 90890-03097-00 DIAL INDICATOR (UNIVERSAL)

FRAME-SIDE COVER



Ref. No.	Part Number	Description	Qty	Remarks
1	(2W6-21110-01-33)	FRAME	1	YAMAHA BLACK
2	1W1-21410-00-00	ENGINE BRKT	1	
3	90105-08099-00	BOLT, WASHER BASED	1	M8-115L
4	90105-08100-00	BOLT, WASHER BASED	1	M8-95L
5	90105-10037-00	BOLT, WASHER BASED	1	M10-80L
6	92990-08200-00	WASHER, PLAIN	2	
7	90185-08089-00	NUT, SELF-LOCKING	2	
8	92901-10100-00	WASHER, SPRING	1	
	92990-10100-00	WASHER, SPRING	1	
9	(2W6-21471-00-00)	PROTECTOR, ENGINE	1	
10	97313-08018-00	BOLT, HEXAGON (97301-08016)	4	
11	92990-08100-00	WASHER	4	
12	92901-08600-00	WASHER	4	
13	1W2-21711-00-00	COVER, SIDE 1	1	SKY BLUE/6COMP. YELLOW
14	(1W2-21721-01-00)	COVER, SIDE 2	1	
15	2W6-14729-00-00	EMBLEM, PROTECTOR	2	
16	98903-06012-00	SCREW, BIND	2	
17	90201-06067-00	WASHER, PLATE	2	
18	90480-12053-00	GROMMET	2	
19	(1W1-24181-00-00)	DAMPER, LOCATING 1	1	
20	1W1-24183-00-00	DAMPER, LOCATING 3	2	
21	537-21732-00-00	SEAL 1	2	
22	(1W2-27000-10-00)	MAIN STAND KIT 8	1	OPTIONAL PARTS
	(90339-12003-00)	PLUG	2	

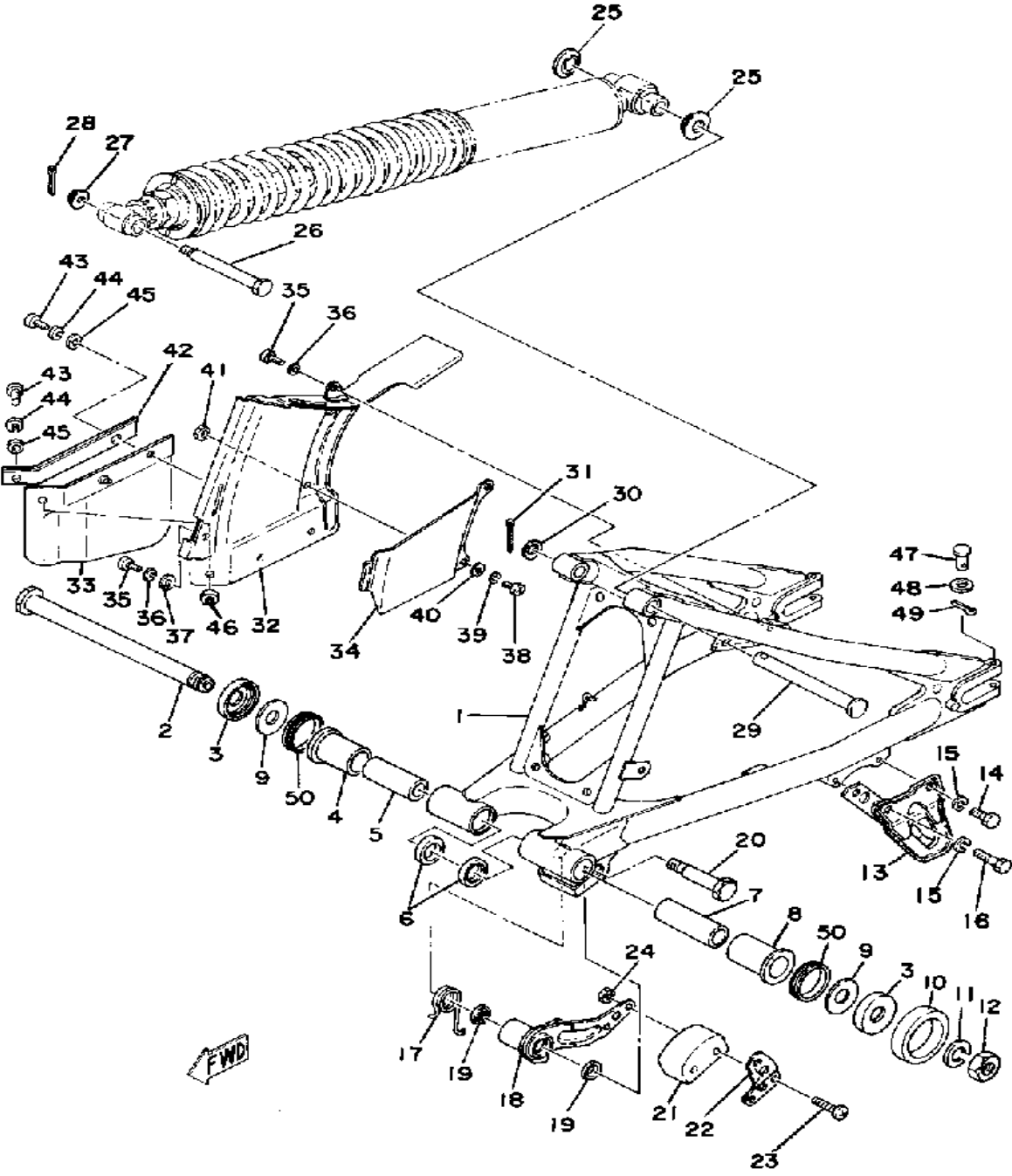
REAR ARM-CHAIN CASE



Ref. No.	Part Number	Description	Qty	Remarks
1	(2W6-22110-01-33)	REAR ARM	1	YAMAHA BLACK
2	1W1-22141-00-00	SHAFT, PIVOT	1	
3	2K6-22128-01-00	COVER, THRUST 1	2	
4	90386-22102-00	BUSH, SPEC'L NYLON	1	
5	90380-16063-00	BUSH, SOLID	1	
6	93109-22019-00	OIL SEAL, SDO-TYPE	2	
7	90380-16056-00	BUSH, SOLID	1	
8	3Y1-22184-01-00	BUSH	1	
9	240-22127-00-00	SHIM	1	
10	431-22151-03-00	SEAL, GUARD	1	
11	92901-16100-00	WASHER, SPRING	1	
12	90170-16111-00	NUT, HEXAGON	1	
13	2W6-22153-00-00	GUARD, CHAIN	1	
14	97001-06018-00	BOLT	1	
15	92995-06100-00	WASHER, SPRING	2	
16	97313-06055-00	BOLT, HEXAGON (97322-06055)	1	
17	90508-35350-00	SPRING, TORSION	1	
18	(1W1-22179-01-00)	ARM, TENSIONER	1	
19	93104-14044-00	OIL SEAL	2	
20	90109-10483-00	BOLT (90109-10533-00)	1	
21	ACC-11130-00-25	TENSIONER (2N0-22178-00-00)	1	
22	1W1-22187-00-00	GUIDE, CHAIN	1	
23	98501-05035-00	SCREW, PAN HEAD	2	
24	95311-05700-00	NUT	2	
25	1W1-22128-00-00	COVER, THRUST 1	2	
26	90109-08480-00	BOLT	1	
27	90179-08243-00	NUT, SPEC'L SHAPE	1	
28	91490-20020-00	PIN, COTTER	1	
29	90240-12060-00	PIN, CLEVIS	1	

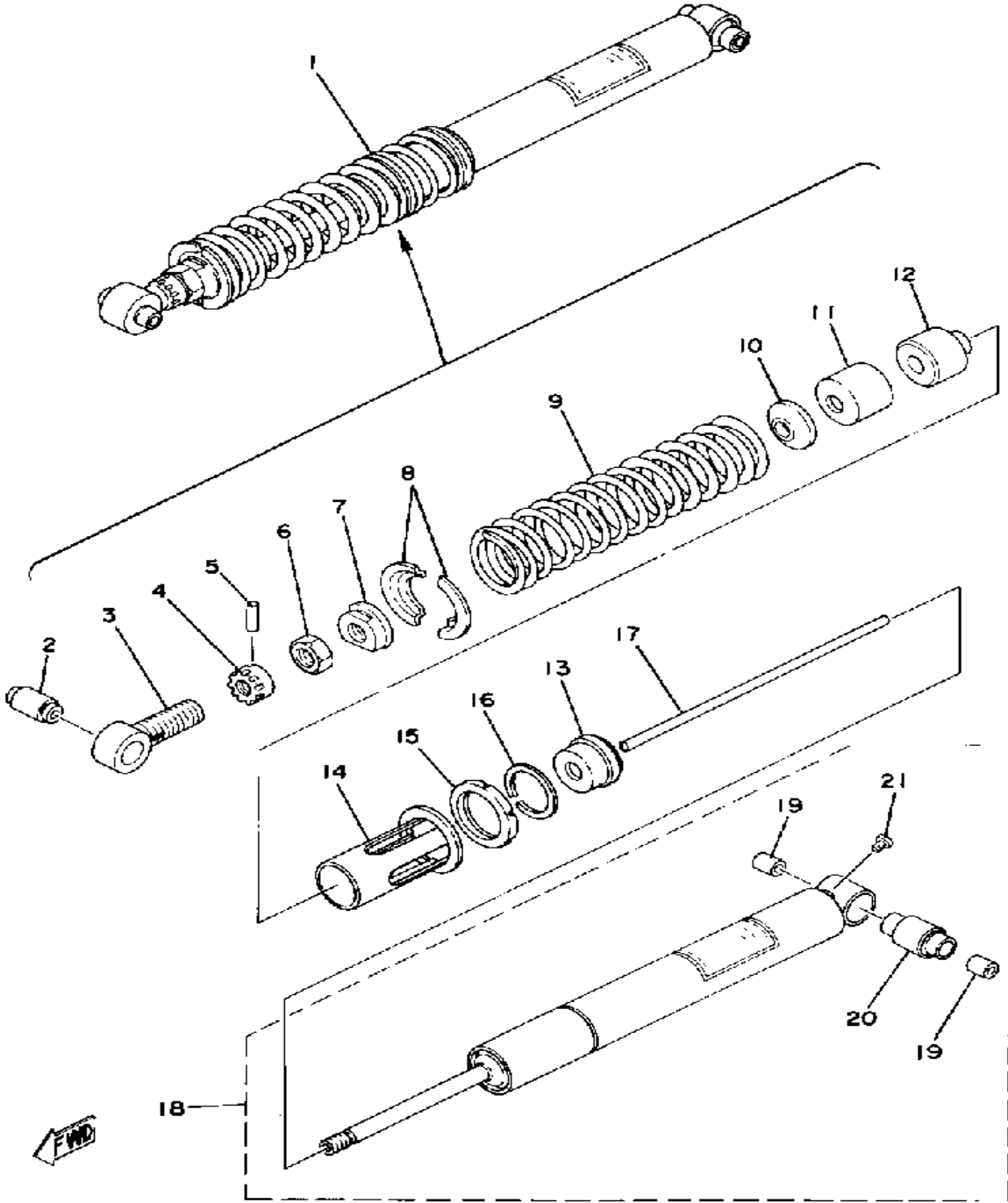
CONTINUED ON NEXT FRAME ➤

REAR ARM-CHAIN CASE



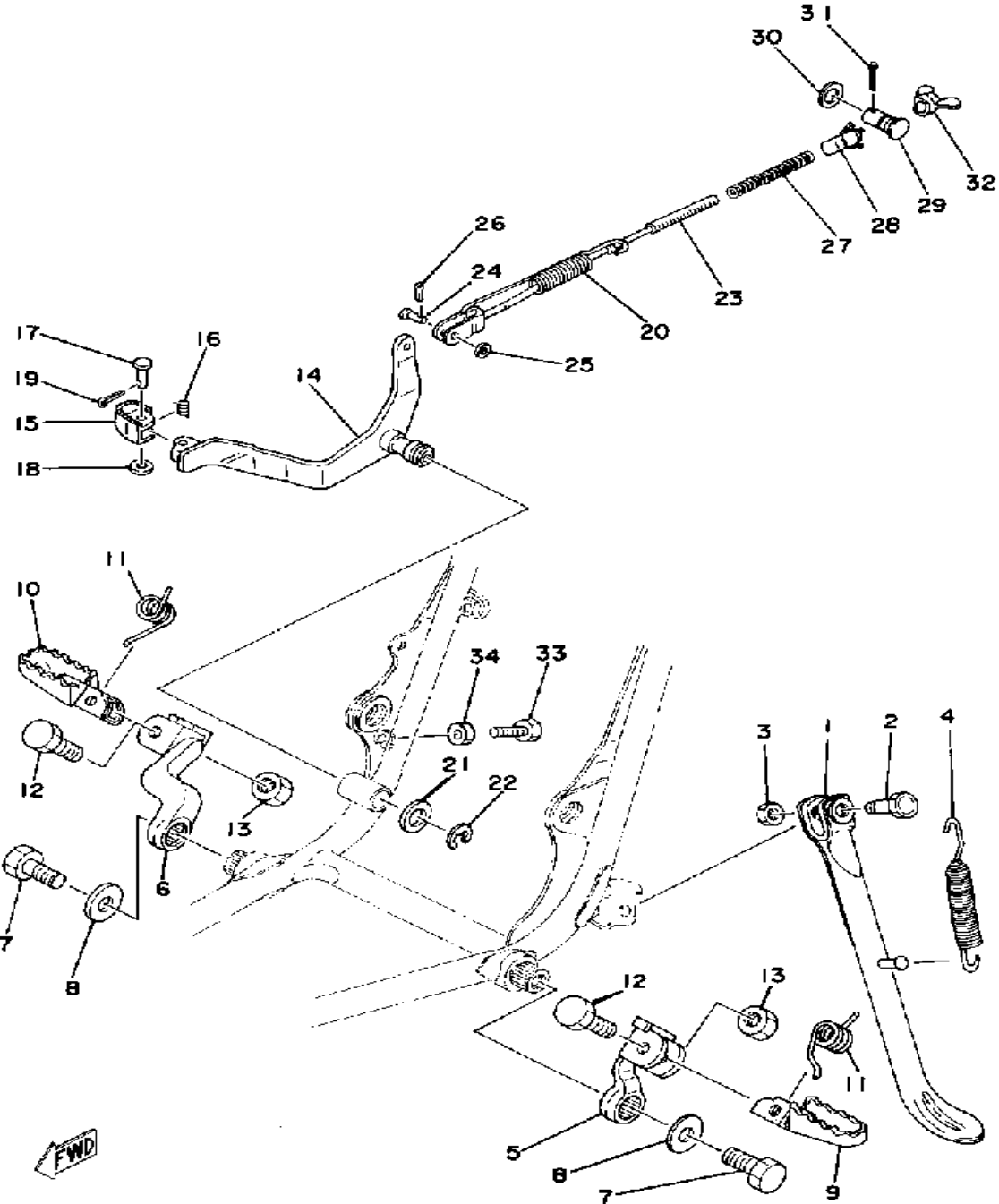
Ref. No.	Part Number	Description	Qty	Remarks
30	92990-12600-00	WASHER, PLATE	1	
31	91401-30030-00	PIN, COTTER	1	
32	(1W2-22311-00-33)	CASE, CHAIN	1	YAMAHA BLACK
33	(1W2-22313-00-00)	RUBBER, CHAIN CASE	1	
34	(1W2-22318-00-00)	GUARD, CHAIN	1	
35	98580-05010-00	SCREW, PAN HEAD	2	
36	92990-05100-00	WASHER, SPRING	2	
37	92990-05200-00	WASHER, PLAIN	2	
38	98580-05010-00	SCREW, PAN HEAD	2	
39	92990-05100-00	WASHER, SPRING	2	
40	92990-05200-00	WASHER, PLAIN	2	
41	95601-05100-00	NUT, U	2	
42	(1W2-22347-00-00)	PLATE, CHN CS RUBR	1	
43	98580-05012-00	SCREW, PAN HEAD	2	
44	92990-05100-00	WASHER, SPRING	2	
45	92901-05600-00	WASHER, PLATE	2	
46	95601-05100-00	NUT, U	1	
47	91701-06042-00	PIN, CLEVIS	2	
48	92901-06600-00	WASHER	2	
49	91490-20020-00	PIN, COTTER	2	
50	93108-35004-00	OIL SEAL (35-41-8)	2	

REAR CUSHION



Ref. No.	Part Number	Description	Qty	Remarks
1	(2W6-22210-00-00)	SHK/ABS ASSEMBLY, REAR	1	
2	1YW-22216-00-00	. BUSH, RR SHOCK ABS	1	
3	(1W1-22219-00-00)	BRACKET, UPPER	1	
4	(1W1-22497-00-00)	NUT, ADJUSTING	1	
5	93604-26132-00	. PIN, DOWEL	1	
6	90170-20320-00	. NUT	1	
7	(2K6-22213-00-00)	SEAT, SPRING UPPER	1	
8	2K6-22214-00-00	. GUIDE, SPRING 1	2	
9	(90501-95550-00)	SPRING, COMPRESSION	1	SOFT (PAINTED YELLOW)
	(90501-99539-00)	SPRING, COMPRESSION	1	HARD (PAINTED BLUE)
	90501-98538-00	. NO LONGER AVAILABLE K=2.63KG/MMK=4.04KG/MM	1	
10	(2W6-22228-00-00)	SUPPORT, BUMP STOP	1	
11	(2W6-22221-00-00)	COVER	1	
12	(2W6-22493-00-00)	BUMP, STOP	1	
13	(1W1-22472-00-00)	CAP, CASE	1	
14	(1W1-22224-00-00)	GUIDE, SPRING 2	1	
15	(1W1-22223-00-00)	SEAT, SPRING LOWER	1	
16	(93440-50058-00)	CIRCLIP, OUTER	1	
17	(2W6-22489-00-00)	ROD, PUSH	1	
18	(2W6-22401-00-00)	DAMPER SUB-ASSEMBLY.	1	
19	90380-12051-00	.. BUSH, SOLID	2	
20	1W1-22226-00-00	.. BUSH, SHOCK ABS LWR	1	
21	98511-04006-00 (98501-04005)	.. SCREW, PAN HEAD	1	

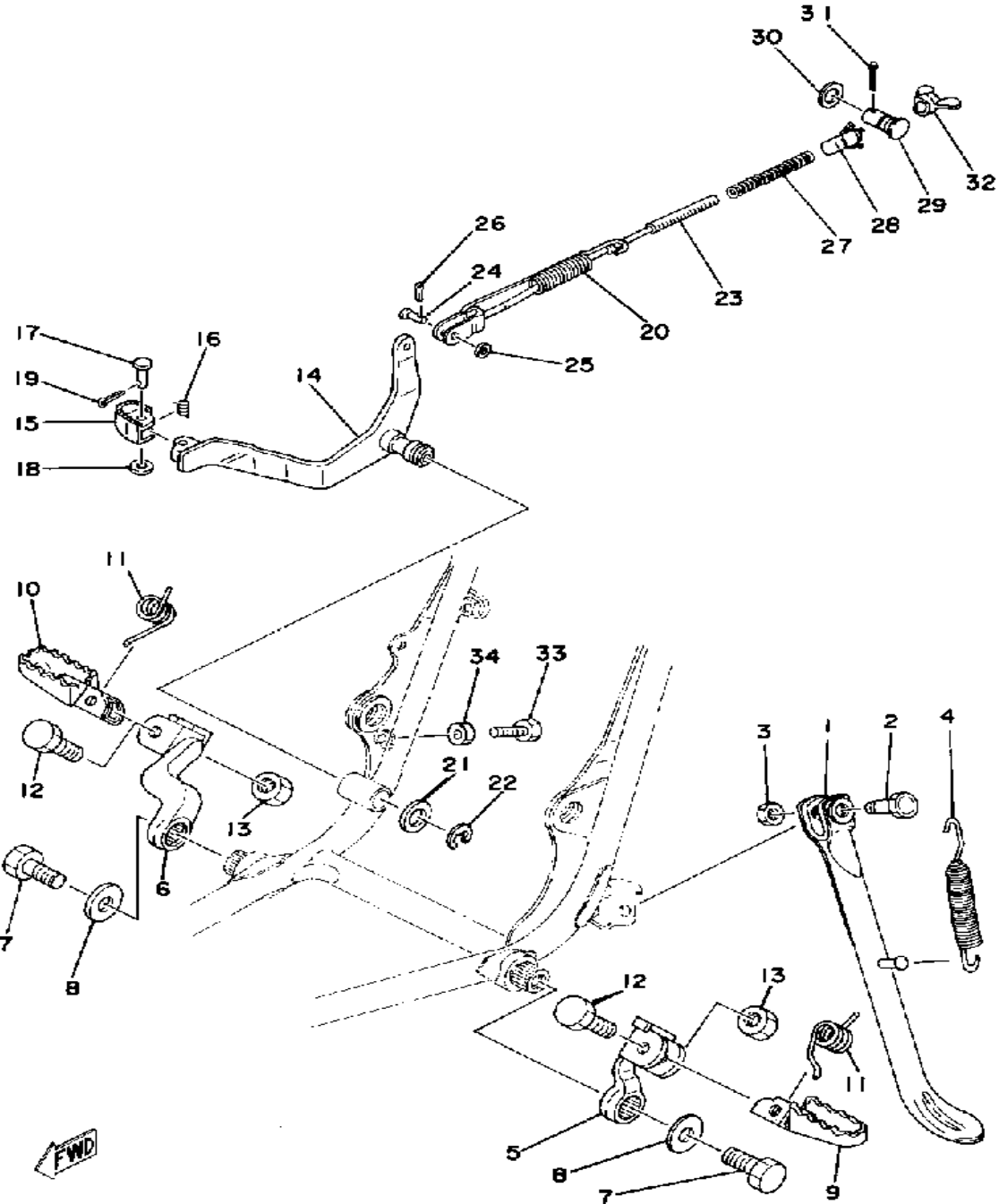
STAND-FOOTREST-BRAKE PEDAL



Ref. No.	Part Number	Description	Qty	Remarks
1	1W2-27311-01-00	STAND, SIDE	1	
2	90109-103A1-00	BOLT	1	
3	95303-10700-00	NUT	1	
4	90507-29008-00	SPRING, TENSION	1	
5	(2W6-27412-00-00)	BRACKET, FOOTREST 1	1	
6	2W6-27422-00-00	BRACKET, FOOTREST 2	1	
7	97011-10016-00	BOLT, HEXAGON	2	
8	90201-10639-00	WASHER, PLATE	2	
9	3R4-27411-00-00	FOOTREST 1	1	
10	3R4-27421-00-00	FOOTREST 2	1	
11	90508-20023-00	SPRING, TORSION	2	
12	90101-08428-00	BOLT	2	
13	95611-08100-00	NUT, U	2	
14	(2W6-27211-00-33)	PEDAL, BRAKE	1	
15	55V-27242-00-00	PEDAL, BRAKE	1	
16	90508-14352-00	SPRING, TORSION	1	
17	91701-06022-00	PIN, CLEVIS	1	
18	92901-06600-00	WASHER	1	
19	91490-20020-00	PIN, COTTER	1	
20	90506-18289-00	SPRING, TENSION	1	
21	90201-14212-00	WASHER, PLATE	1	
22	93430-10015-00	CIRCLIP, E-TYPE	1	
23	2K5-27231-00-00	ROD, BRAKE	1	
24	90240-06103-00	PIN, CLEVIS	1	
25	92990-06200-00	WASHER	1	
26	91490-20020-00	PIN, COTTER	1	
27	90501-10245-00	SPRING, COMPRESSION	1	
28	1W2-27239-00-00	SEAT, SPRING	1	
29	1W2-27237-00-00	PIN, CLEVIS	1	

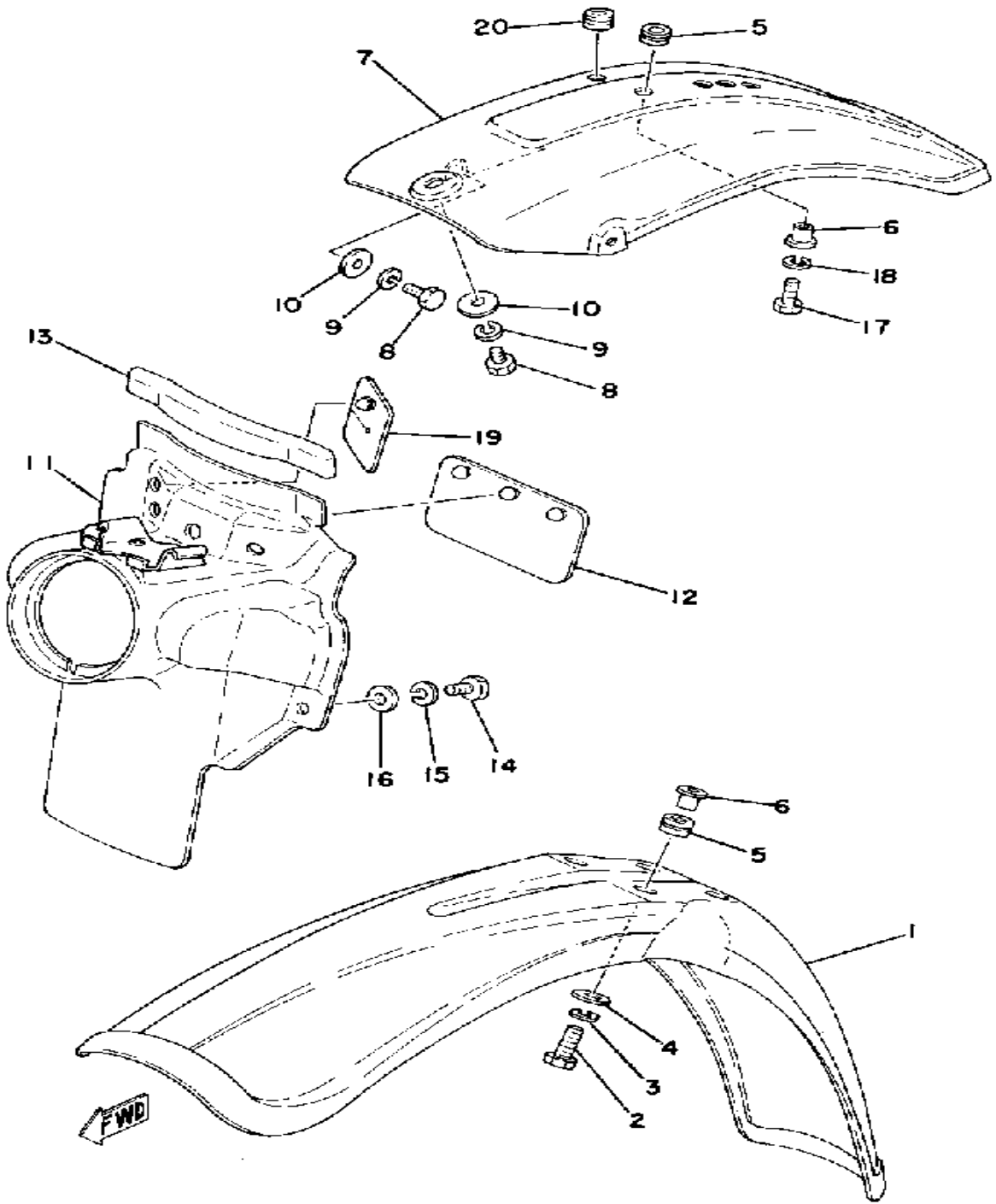
CONTINUED ON NEXT FRAME ►

STAND-FOOTREST-BRAKE PEDAL



Ref. No.	Part Number	Description	Qty	Remarks
30	90201-12631-00	WASHER, PLATE	1	
31	91401-25030-00	PIN, COTTER	1	
32	90179-06411-00	NUT	1	
33	97011-06020-00	BOLT	1	
34	95380-06700-00	NUT	1	

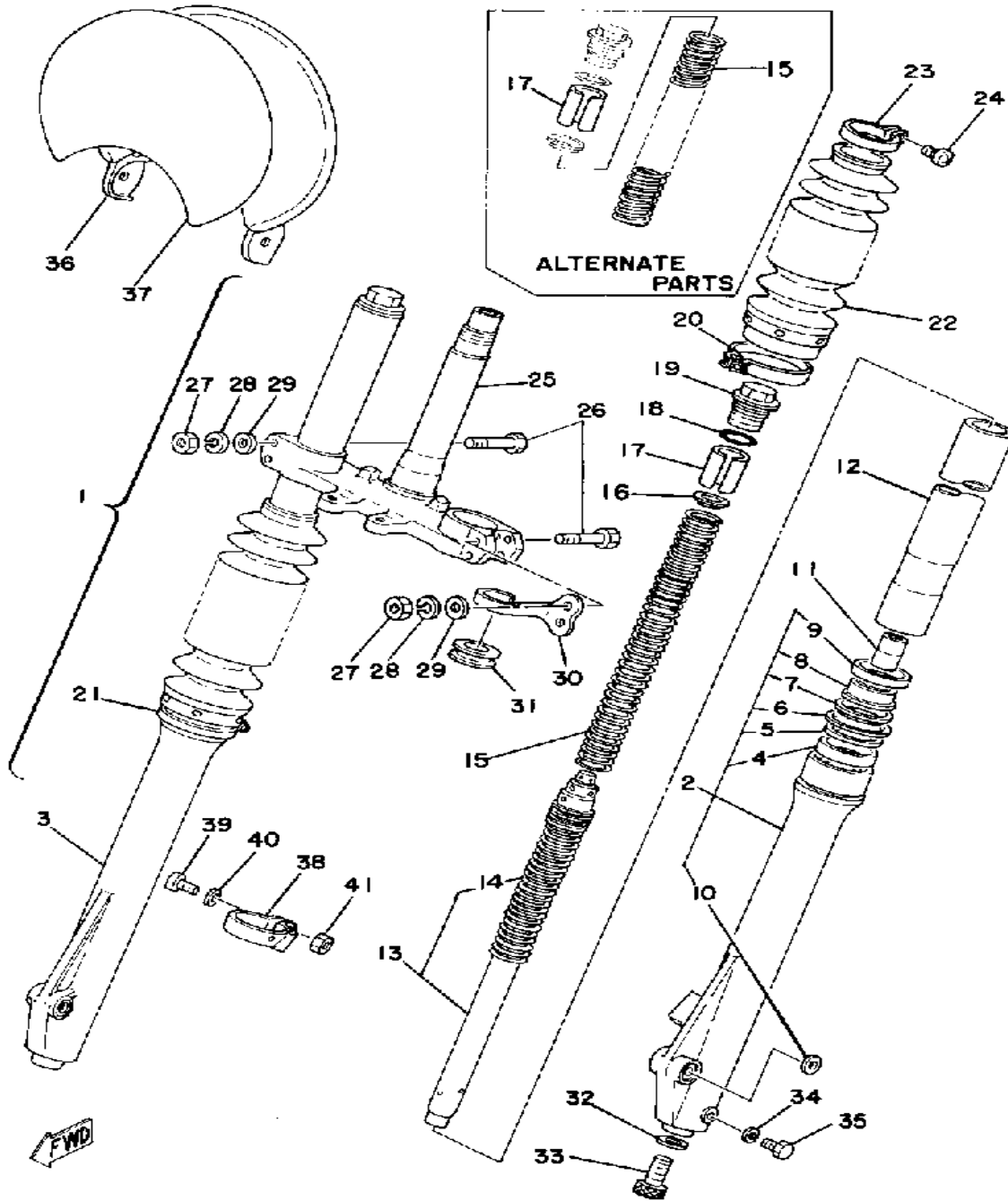
FRONT FENDER-REAR FENDER



Ref. No.	Part Number	Description	Qty	Remarks
1	99999-02158-00	FENDER, FRONT SET	1	SKY BLUE
2	97011-06025-00	BOLT (97001-06025)	4	
3	92995-06100-00	WASHER, SPRING	4	
4	90201-06067-00	WASHER, PLATE	4	
5	90480-14198-00	GROMMET	5	
6	90387-07391-00	COLLAR	5	
7	1W2-21611-00-00	FENDER, REAR	1	SKY BLUE
8	97301-06014-00	BOLT, HEXAGON	2	
9	92995-06100-00	WASHER, SPRING	2	
10	90201-06067-00	WASHER, PLATE	2	
11	(2W6-21620-00-00)	GUARD, MUD	1	
12	1M1-21621-00-00	FLAP	1	
13	565-21746-00-00	DAMPER	1	
14	97301-06014-00	BOLT, HEXAGON	2	
15	92995-06100-00	WASHER, SPRING	2	
16	90201-06067-00	WASHER, PLATE	2	
17	97011-06025-00	BOLT (97001-06025)	1	
18	92995-06100-00	WASHER, SPRING	1	
19	(1W2-21621-00-00)	FLAP	1	
20	90480-15058-00	GROMMET	1	

90890-01051-00

STEERING NUT WRENCH (UNIVERSAL)



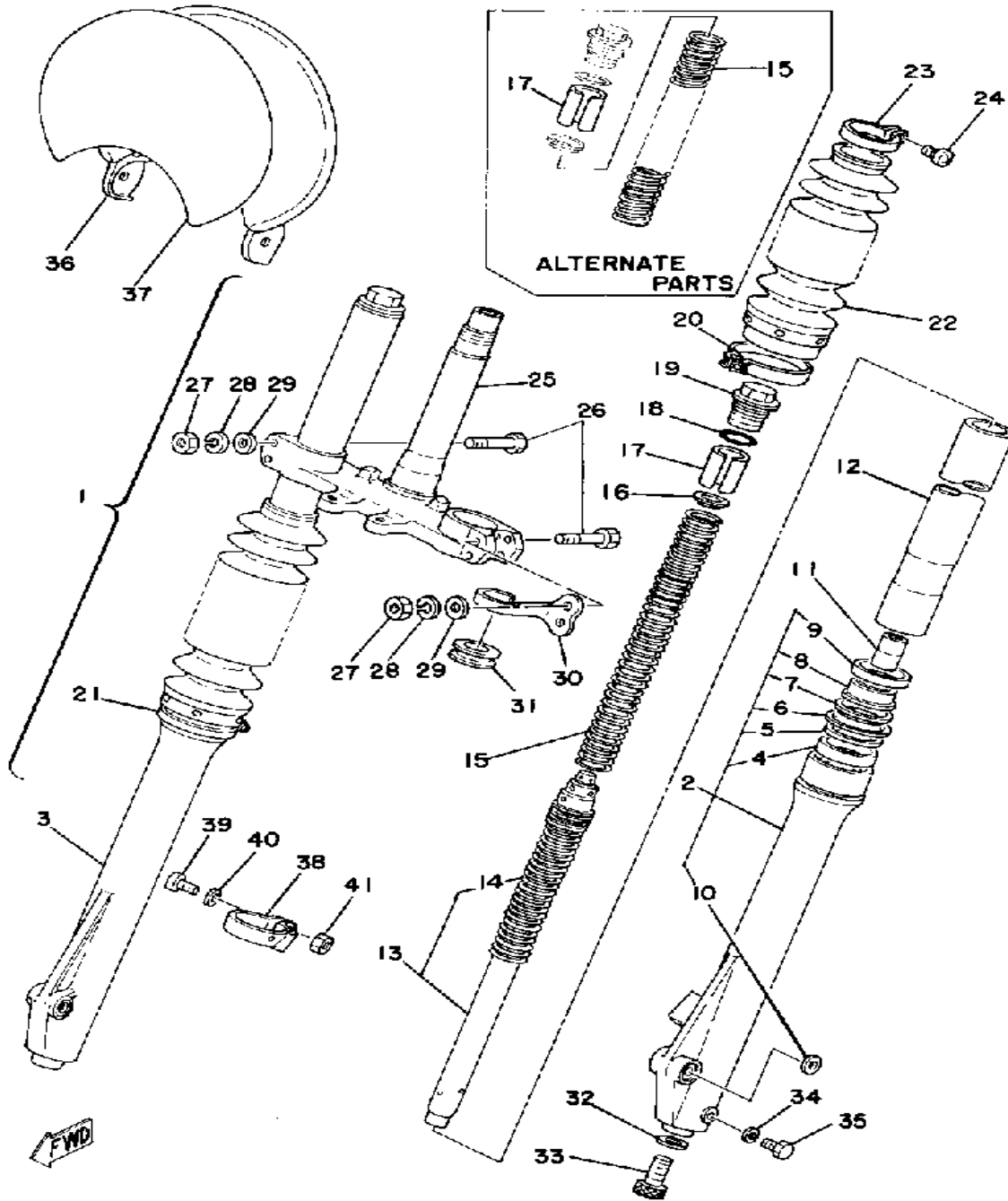
FRONT FORK

Ref. No.	Part Number	Description	Qty	Remarks
1	(2W6-23101-00-00)	FRONT FORK ASSEMBLY	1	
2	(2W6-23126-00-00)	TUBE, OUTER 1	1	
3	(2W6-23136-00-00)	TUBE, OUTER 2	1	
4	48Y-23145-00-00	.. OIL SEAL	2	
5	(509-23146-L0-00)	WASHER, OIL SEAL	2	
6	1W1-23156-L0-00	.. CLIP, OIL SEAL	2	
7	1W1-23153-L0-00	.. RING, SNAP	2	
8	(2W6-23144-00-00)	SEAL, DUST	2	
9	99999-01510-00	.. COVER, DUST SEAL	2	
10	1W1-23168-L0-00	.. CAP, FRONT FORK	2	
11	1W1-23173-L0-00	. SPINDLE, TAPER	2	
12	(2W6-23110-00-00)	INNER TUBE 1	2	
13	(2W6-23170-00-00)	CYLINDER, FRTRFK	2	
14	(1G8-23151-L0-00)	SPRING, REBOUND	2	
15	(2W6-23141-00-00)	SPRING, FRONT FORK	2	
16	583-23142-00-00	. SEAT, SPRING UPPER	2	
17	2W6-23118-00-00	. SPACER	2	
18	240-23114-00-00	. GASKET	2	
19	2W6-23111-00-00	. BOLT, CAP (583-23111-00)	2	
20	1W1-23318-L0-00	. HOLDER, CABLE 1	1	
21	509-23489-L0-00	. BAND	1	
22	2N6-23191-00-00	. BOOT, FRONT FORK	2	
23	341-92090-60-00	. BAND, BOOT	2	
24	509-23194-L0-00	. SCREW, BOOT BAND	2	
25	(2X7-23340-00-33)	UNDER BRACKET	1	
26	90101-08340-00	. BOLT	4	
27	95333-08600-00	. NUT	4	
28	92990-08100-00	. WASHER	4	
29	92901-08600-00	. WASHER	4	

CONTINUED ON NEXT FRAME ➤

90890-01051-00

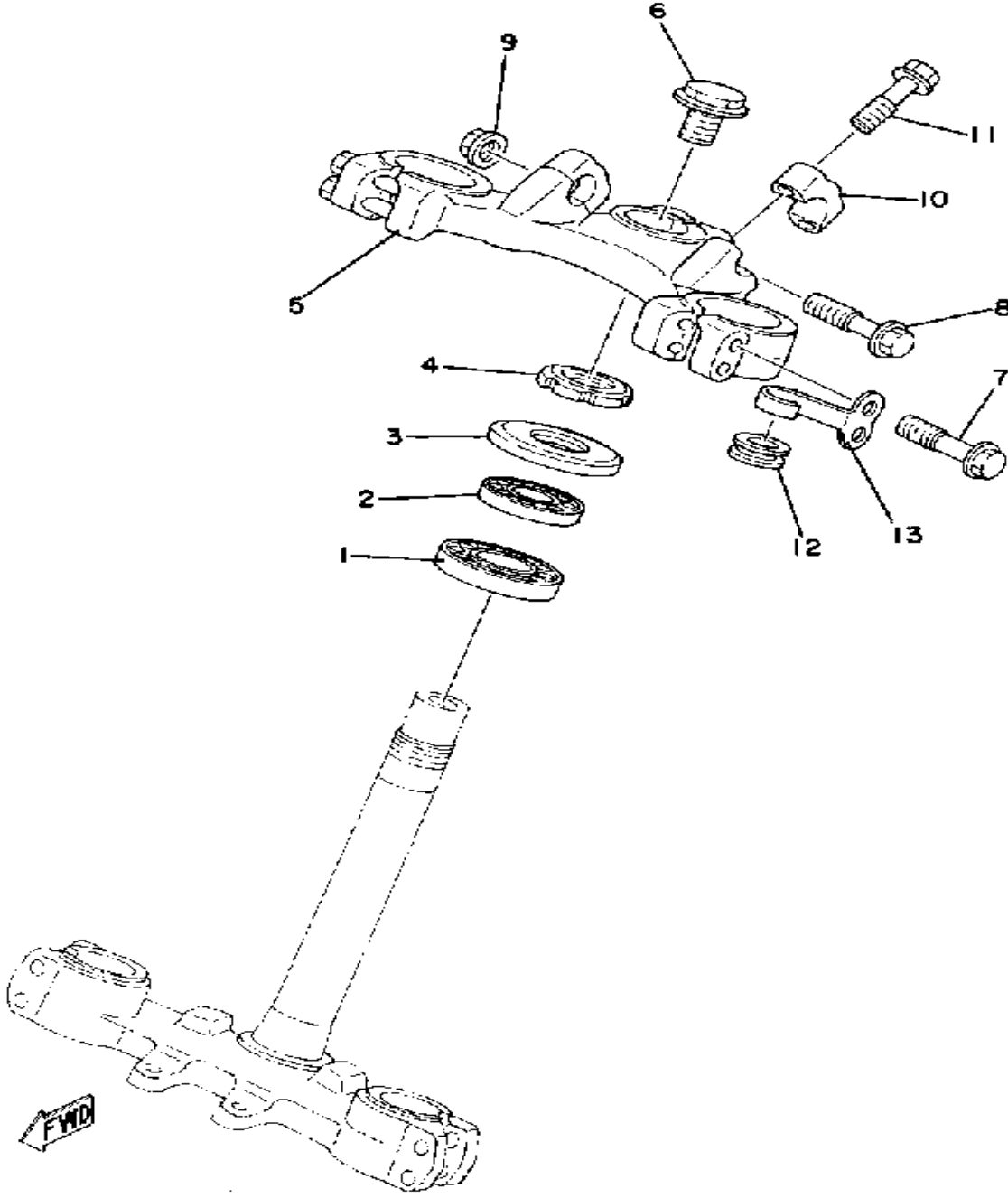
STEERING NUT WRENCH (UNIVERSAL)



FRONT FORK

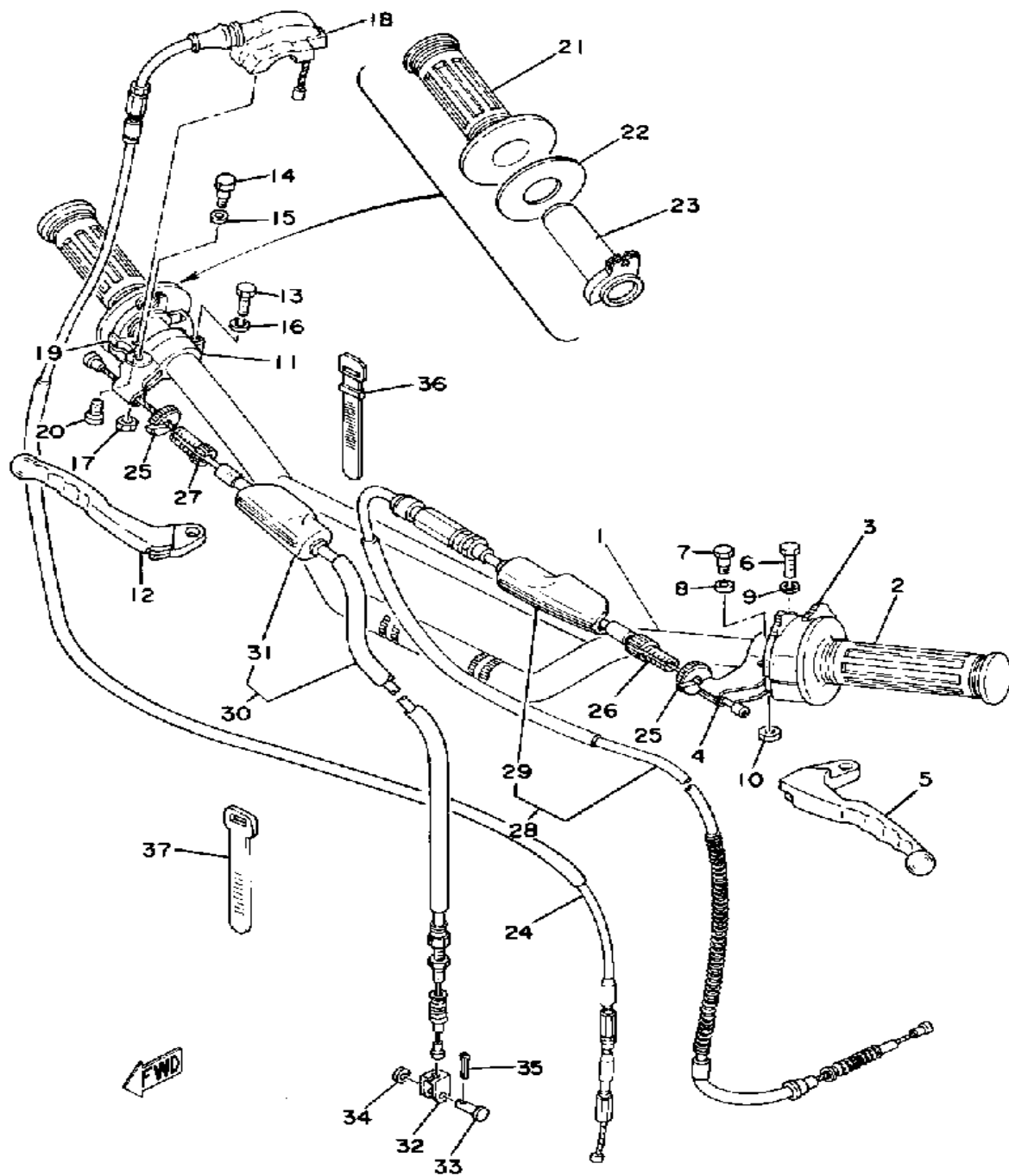
Ref. No.	Part Number	Description	Qty	Remarks
30	1W1-23317-01-00	. HOLDER, CABLE	1	
31	1W1-23389-00-00	. GUIDE, CABLE	1	
32	509-23158-L0-00	. GASKET	2	
33	1T3-23181-50-00	. BOLT, HEX SCKT HEAD	2	
34	122-23129-00-00	. GASKET, DRAIN PLUG	2	
35	98580-04008-00	. SCREW, PAN HEAD	2	
36	1W2-23485-00-00	PLATE, NUMBER	1	
37	1W2-23395-00-00	EMBLEM	1	
38	1W2-23318-00-00	HOLDER, CABLE 1	1	
39	98501-05018-00	SCREW, PAN HEAD	1	
40	92901-05600-00	WASHER, PLATE	1	

STEERING



Ref. No.	Part Number	Description	Qty	Remarks
1	93332-00008-00	BEARING	1	
2	93332-00001-00	BEARING	1	
3	3HE-23416-00-00	COVER, BALL RACE 2	1	
4	90179-25033-00	NUT	1	
5	5X3-23435-01-98	CROWN, HANDLE	1	LOW GLOSS BLK
6	90105-14136-00	BOLT, WASHER BASED	1	
7	90105-08091-00	BOLT, WASHER BASED	4	
8	95811-08055-00	BOLT, FLANGE	1	
9	95701-08500-00	NUT, FLANGE	1	
10	1E6-23441-00-00	HOLDER, HANDLE UPR	2	
11	95811-08035-00	BOLT, FLANGE (95821-08035) .	4	
12	1W1-23389-00-00	GUIDE, CABLE	1	
13	1W1-23317-01-00	HOLDER, CABLE	1	

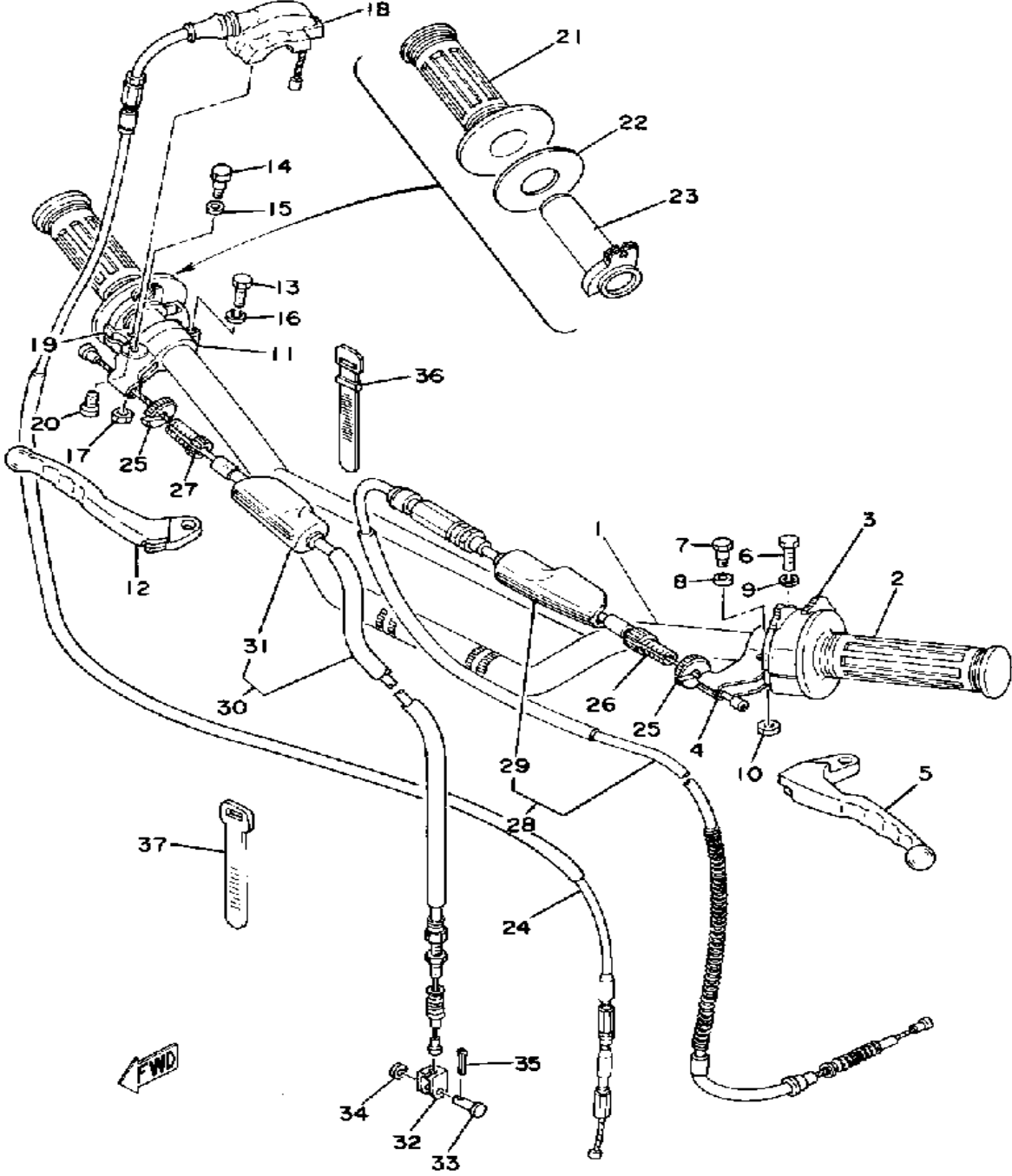
HANDLE-WIRE



Ref. No.	Part Number	Description	Qty	Remarks
1	1W1-26111-03-00	HANDLEBAR (1W1-26111-02)	1	
2	1E6-26241-00-00	GRIP LH	1	
3	1W2-83973-00-98	SWITCH, HANDLE 3	1	LOW GLOSS BLK
4	214-82911-01-00	HOLDER, LEVER 1	1	LOW GLOSS BLK
5	23X-83912-00-00	LEVER 1	1	
6	97003-06022-00	BOLT, HEXAGON (97301-06022)	1	
7	90109-06797-00	BOLT	1	
8	90201-08083-00	WASHER, PLATE	1	
9	92995-06100-00	WASHER, SPRING	1	
10	95601-06100-00	NUT, U	1	
11	516-82921-30-00	HOLDER, LEVER 2	1	LOW GLOSS BLK
12	23X-83922-00-00	LEVER 2	1	
13	97003-06022-00	BOLT, HEXAGON (97301-06022)	1	
14	90109-06797-00	BOLT	1	
15	90201-08083-00	WASHER, PLATE	1	
16	92995-06100-00	WASHER, SPRING	1	
17	95601-06100-00	NUT, U	1	
18	322-26281-00-98	CAP, GRIP UPPER	1	
19	322-26282-00-00	CAP, GRIP LOWER	1	
20	98580-05016-00	SCREW, PAN HEAD	2	
21	583-26242-00-00	GRIP RH	1	
22	1W1-26249-00-00	RING, leaf	1	
23	322-26243-00-00	TUBE, throttle guide	1	
24	1W2-26311-02-00	CABLE, THROTTLE 1	1	
25	90179-08148-00	NUT	2	
26	90123-08013-00	BOLT	1	
27	90123-08046-00	BOLT	1	
28	1W1-26335-00-00	CABLE, CLUTCH	1	
29	382-26372-01-00	. COVER, HANDLE LEVER	1	

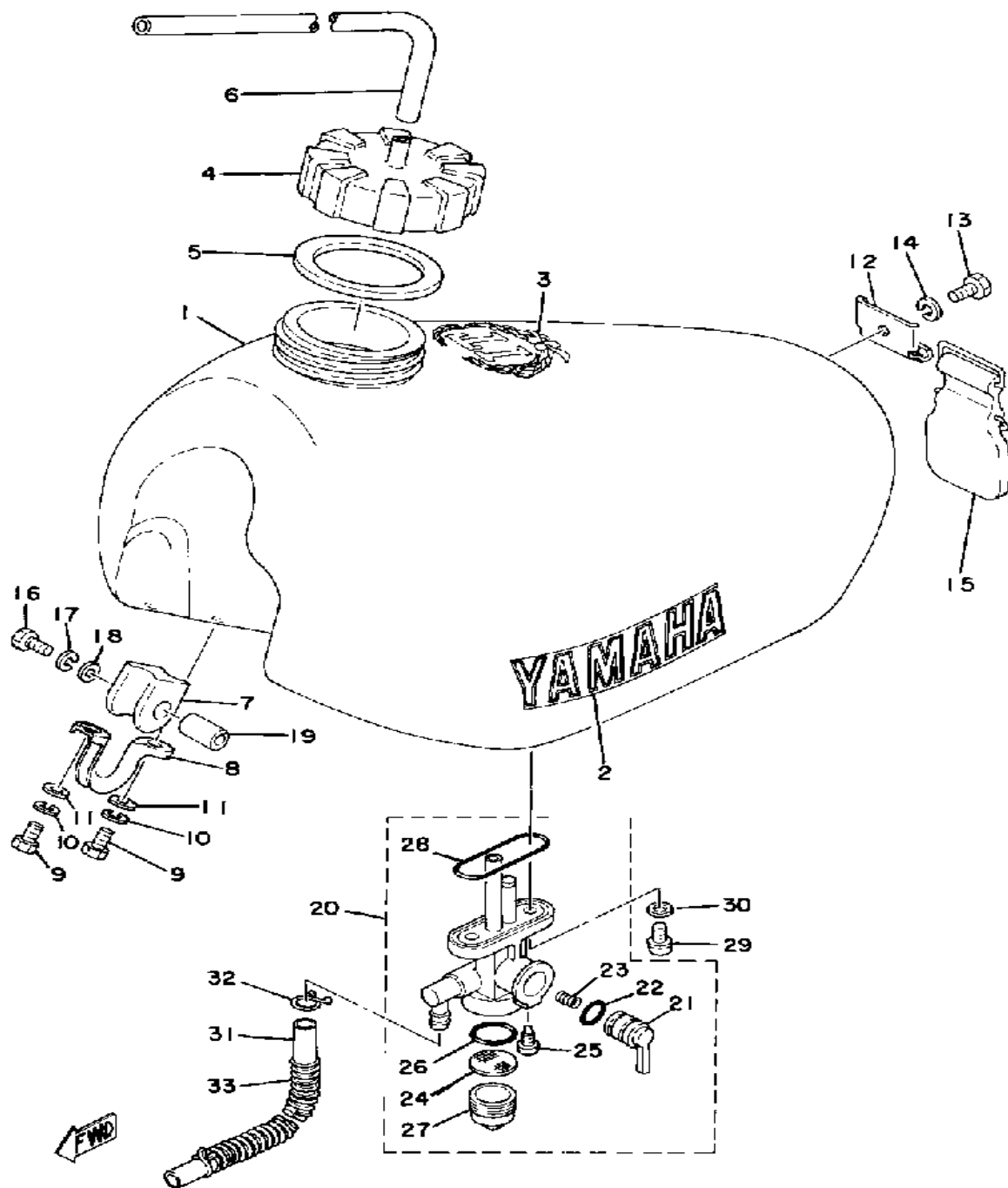
CONTINUED ON NEXT FRAME ►

HANDLE-WIRE



Ref. No.	Part Number	Description	Qty	Remarks
30	1W1-26341-01-00	CABLE, BRAKE	1	
31	382-26372-01-00	. COVER, HANDLE LEVER	1	
32	156-26347-00-00	JOINT, CABLE	1	
33	90240-08013-00	PIN, CLEVIS	1	
34	90201-08083-00	WASHER, PLATE	1	
35	91490-20020-00	PIN, COTTER	1	
36	437-83936-11-00	BAND, SWITCH CORD	1	
37	437-83936-01-00	BAND, SWITCH CORD	6	

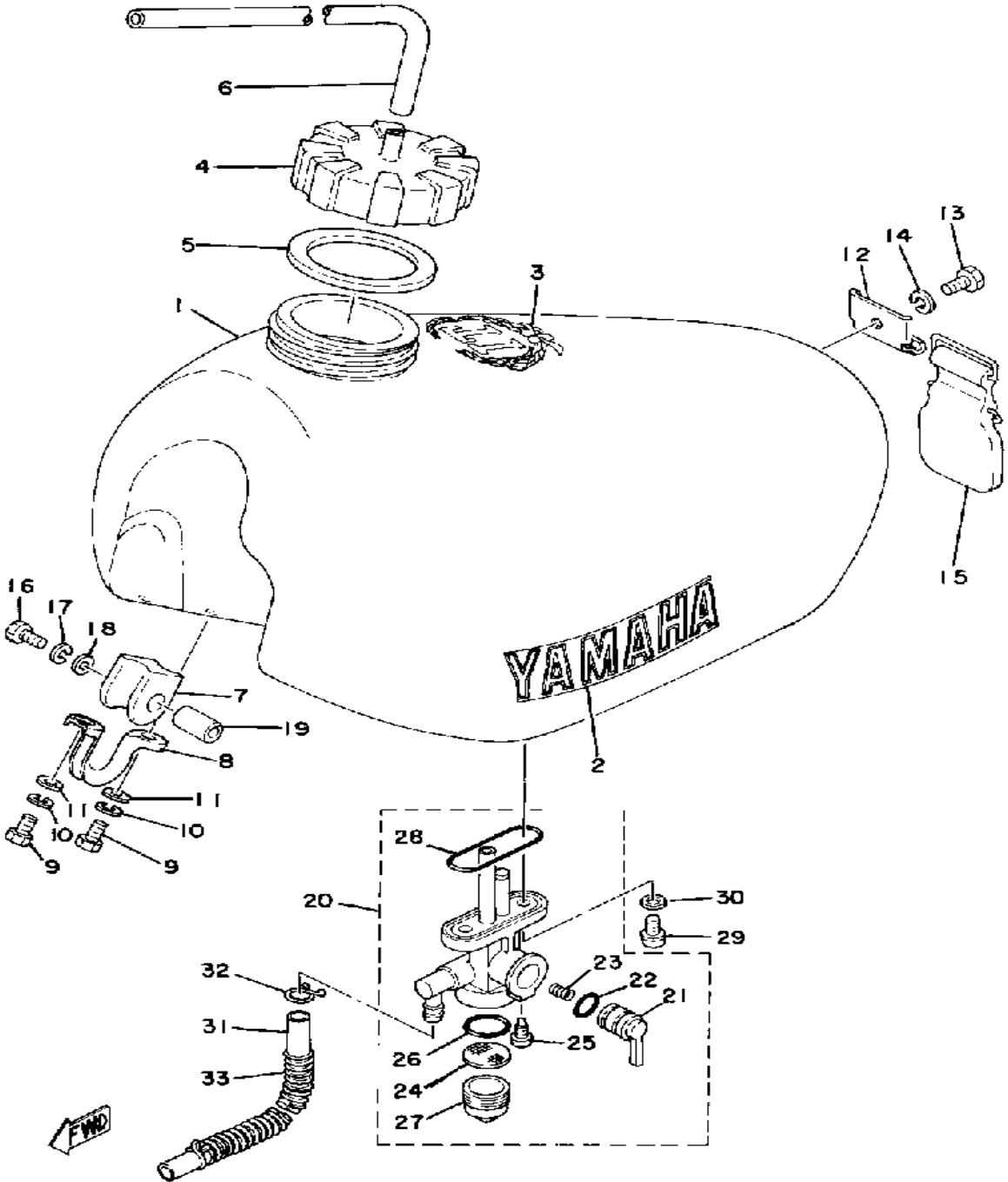
FUEL TANK



Ref. No.	Part Number	Description	Qty	Remarks
1	(1W2-24110-00-00)	FUEL TANK	1	SKY BLUE
2	(2W6-24161-00-00)	EMBLEM 1	2	
3	(1W2-24162-00-00)	EMBLEM 2	1	
4	1K7-24611-01-00	BODY, CAP	1	
5	1K7-24612-02-00	GASKET, CAP	1	
6	90445-09361-00	HOSE	1	
7	1W1-24182-01-00	DAMPER, LOCATING 2	2	
8	1W1-24144-01-00	HOLDER, DAMPER	2	
9	97013-06012-00	BOLT	4	
10	92995-06100-00	WASHER, SPRING	4	
11	92901-06600-00	WASHER	4	
12	(1W2-24192-00-00)	BRACKET, FUEL TNK 2	1	
13	97013-06012-00	BOLT	1	
14	92995-06100-00	WASHER, SPRING	1	
15	1W1-24173-00-00	BAND, TNK FITTING 1	1	
16	97013-06035-00	BOLT	2	
17	92995-06100-00	WASHER, SPRING	2	
18	90201-06407-00	WASHER, PLATE (90201-06747-00)	2	
19	90387-07393-00	COLLAR (308-84557-00)	2	
20	3R9-24500-00-00	FUEL COCK ASSEMBLY 1 ...	1	
21	(2W6-24524-00-00)	LEVER, COCK	1	
22	2N3-24528-00-00	. GASKET	1	
23	2W6-24529-00-00	. SPRING	1	
24	2W6-24561-00-00	. NET, FILTER	1	
25	2N3-24535-00-00	. SCREW, LVR FITTING	1	
26	357-24522-10-00	. GASKET	1	
27	(357-24521-10-00)	CUP, FILTER	1	
28	2W6-24512-00-00	. O-RING	1	

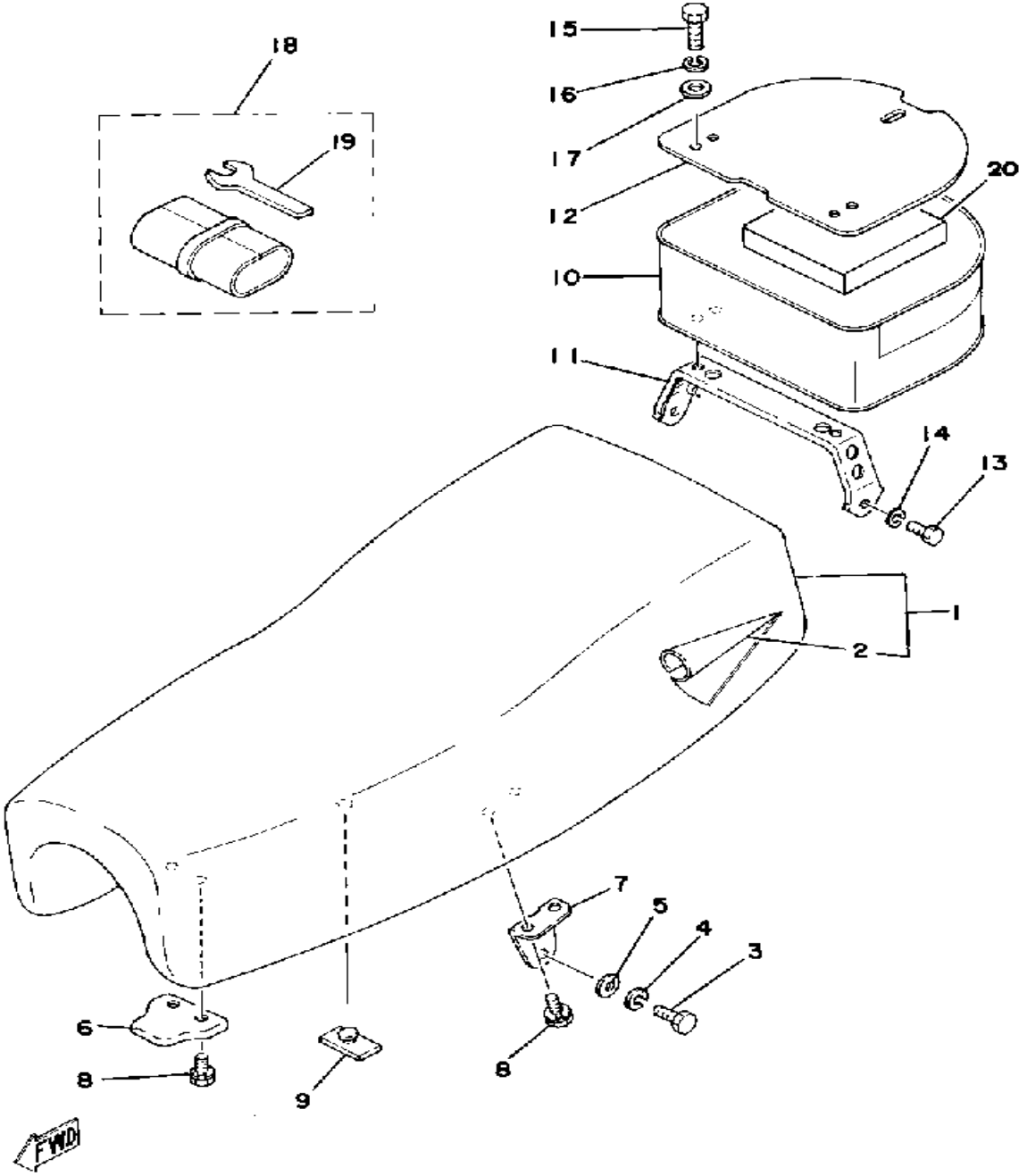
CONTINUED ON NEXT FRAME ►

FUEL TANK



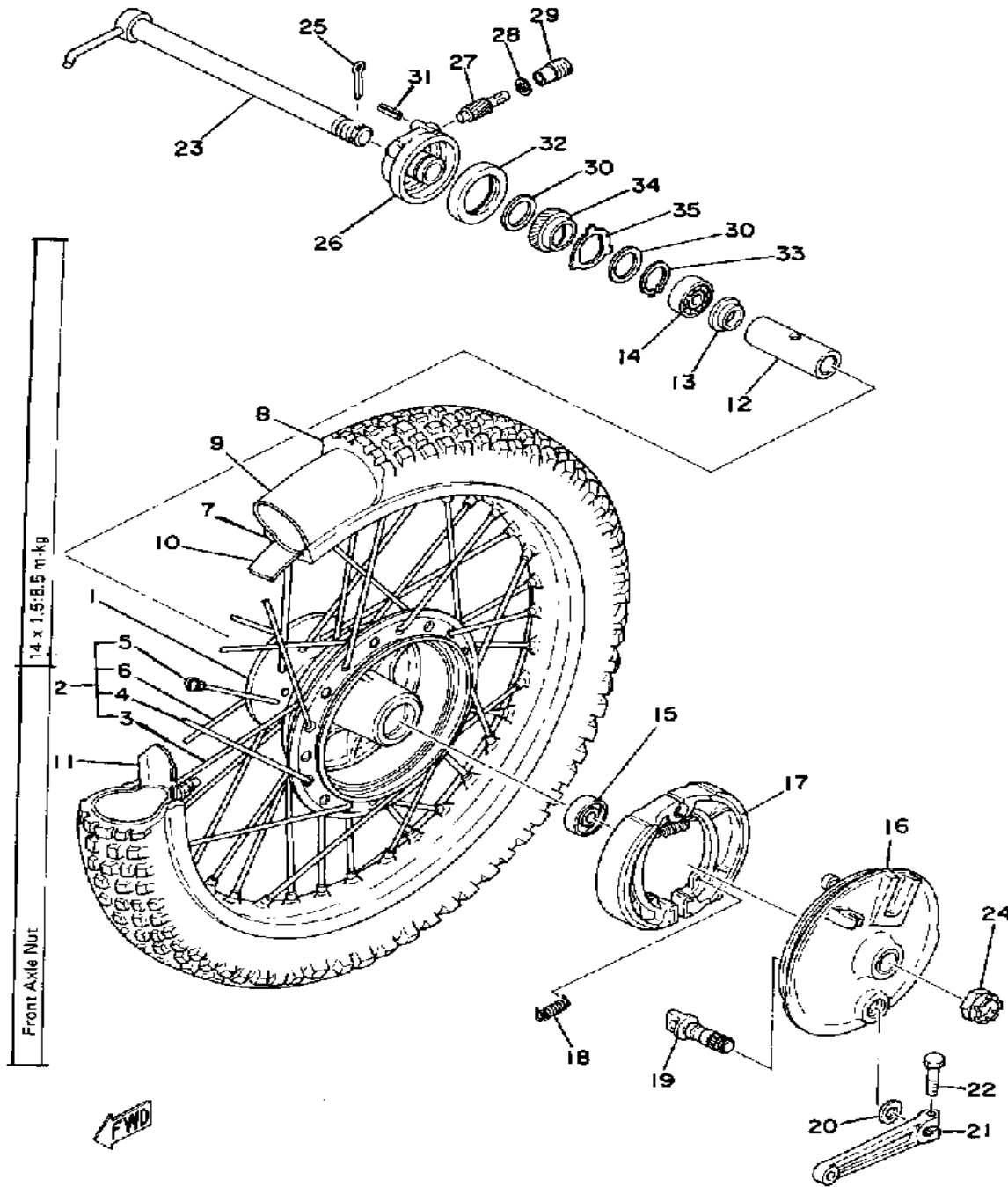
Ref. No.	Part Number	Description	Qty	Remarks
29	90149-06011-00	SCREW	2	
30	90202-05187-00	WASHER, PLATE	2	
31	90445-11356-00	HOSE	1	
32	90467-10008-00	CLIP	2	
33	90501-08486-00	SPRING, COMPRESSION	1	

SEAT



Ref. No.	Part Number	Description	Qty	Remarks
1	(2W6-W2473-00-00)	SEMI-DBL-SEAT ASSEMBLY ..	1	
2	1W2-24771-00-00	. COVER, SM-DBL SEAT	1	
3	97301-06014-00	BOLT, HEXAGON	2	
4	92995-06100-00	WASHER, SPRING	2	
5	92901-06600-00	WASHER	2	
6	1M1-24748-00-00	BRACKET, SEAT	1	
7	509-24738-01-00	BRACKET, SEAT	2	
8	90101-06304-00	BOLT	6	
9	509-24724-00-00	DAMPER, SEAT	6	
10	1W2-24850-01-00	CARRIER BOX ASSEMBLY ...	1	
11	(1W2-24832-00-00)	BRACKET, CARRIER 1	1	
12	1W2-24833-01-00	BRACKET, CARRIER 2	1	
13	97301-06014-00	BOLT, HEXAGON	2	
14	92995-06100-00	WASHER, SPRING	2	
15	97001-06018-00	BOLT	3	
16	92995-06100-00	WASHER, SPRING	3	
17	90201-06067-00	WASHER, PLATE	3	
18	1W2-W2810-00-00	TOOL KIT	1	
19	10V-28135-00-00	. SPANNER, SPECIAL	1	
20	(1W2-24854-00-00)	DAMPER	1	

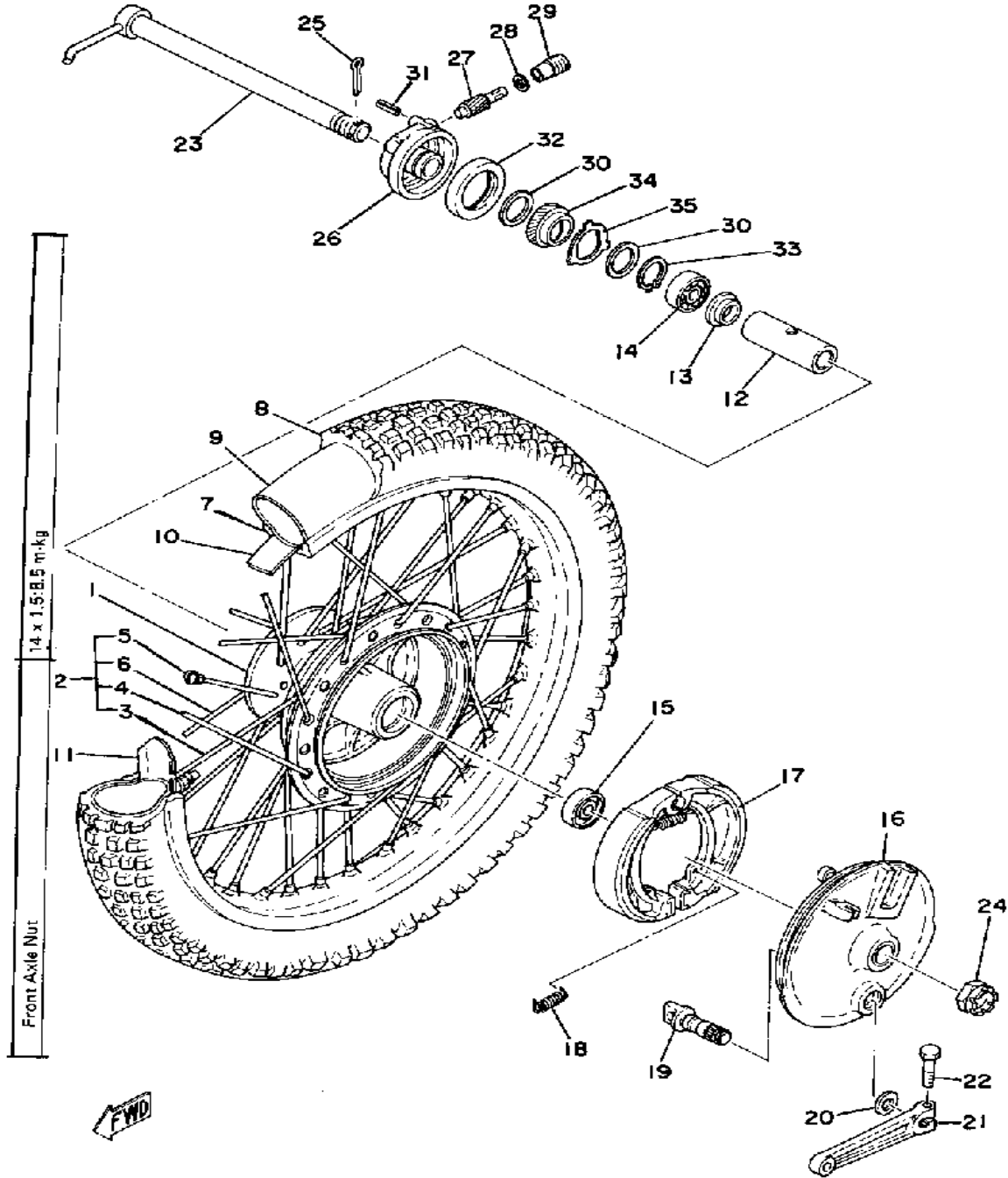
FRONT WHEEL



Ref. No.	Part Number	Description	Qty	Remarks
1	1K7-25111-10-98	HUB, FRONT	1	LOW GLOSS BLK
2	2W6-25104-02-00	SPOKE SET, FRONT	1	
3	(2W6-25196-90-00)	SPOKE SET, INNER 1	1	
4	(2W6-25197-90-00)	SPOKE SET, OUTER 1	1	
5	(2W6-25179-90-00)	SPOKE SET, INNER 2	1	
6	(2W6-25189-90-00)	SPOKE SET, OUTER 2	1	
7	94416-21326-00	RIM 1.60X 1	1	
8	(94130-213A4-00)	300-21 M1B (TT)	1	
9	94230-21126-00	TUBE (3.00-21)	1	
10	(94330-21088-00)	BAND, RIM	1	
11	1T1-25194-00-00	SPACER, BEAD	1	
12	90560-15116-00	SPACER	1	
13	146-25116-00-00	FLANGE, SPACER 2	1	1
14	93306-20209-00	BEARING (B6202)	1	
15	93306-20226-00	BEARING	1	
16	1W1-25016-11-98	BRAKE SHOE PLT ASSEMBLY (1W1-25121-02-98)	1	
17	322-W2535-00-00	BRAKESHOE SET-2PCS	2	
18	90506-17328-00	SPRING, TENSION	2	
19	23X-25151-00-00	CAMSHAFT	1	
20	137-25159-00-00	SEAL, CAMSHAFT	1	
21	322-25155-00-00	LEVER, CAMSHAFT 1	1	
22	90101-06291-00	BOLT	1	
23	1W2-25181-02-00	AXLE, WHEEL	1	
24	90171-14020-00	NUT, CASTLE	1	
25	91401-30030-00	PIN, COTTER	1	
26	1W2-25190-00-00	GEAR UNIT ASSEMBLY	1	
27	1W2-25138-00-00	GEAR, METER	1	
28	102-18416-00-00	SHIM, ROD	1	

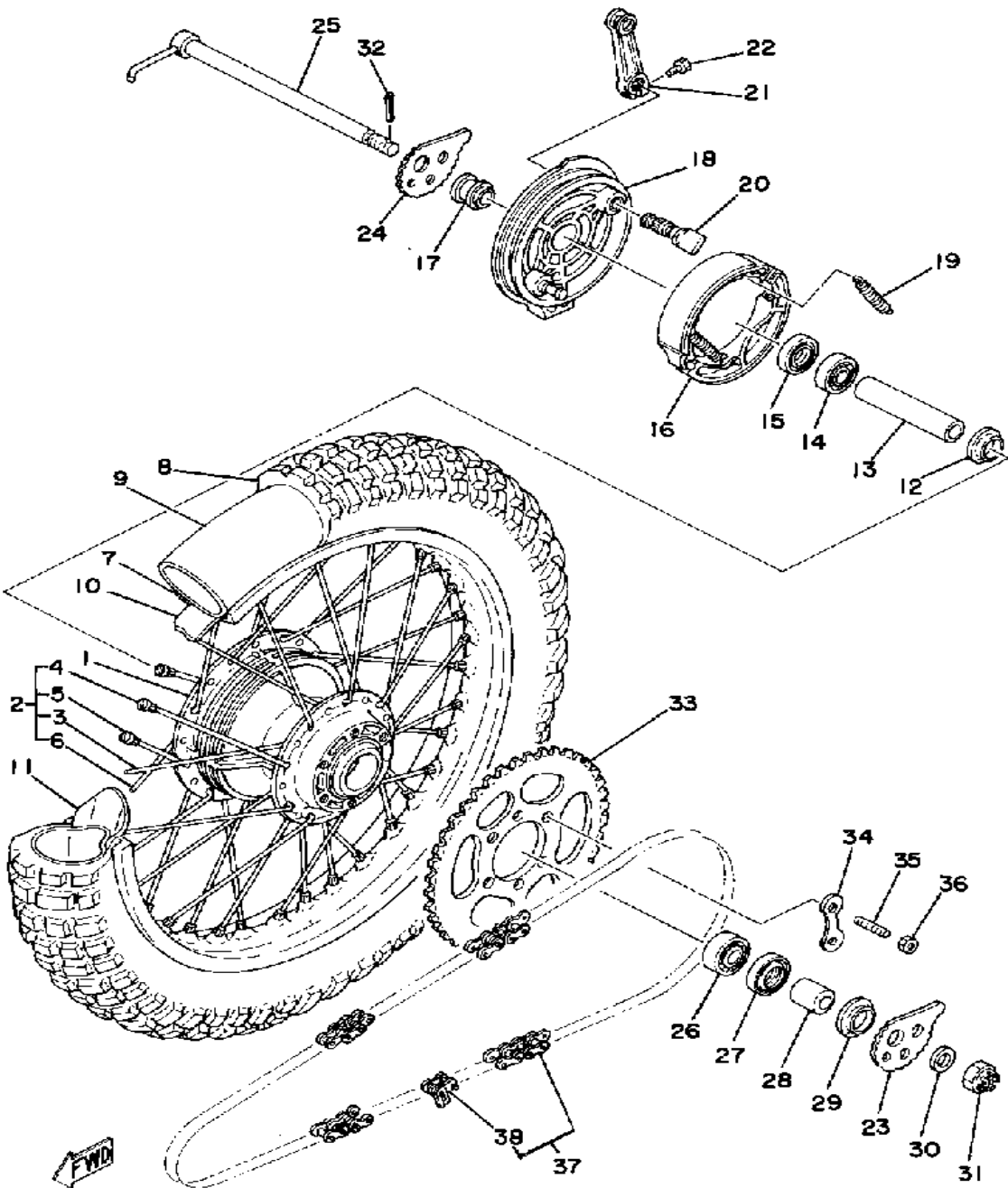
CONTINUED ON NEXT FRAME ➤

FRONT WHEEL



Ref. No.	Part Number	Description	Qty	Remarks
29	306-25136-00-00	BUSH	1	
30	90201-22283-00	WASHER, PLATE	2	
31	91609-20014-00	PIN, SPRING	1	
32	93106-40027-00	OIL SEAL	1	
33	93410-22014-00	CIRCLIP, S-TYPE	1	
34	1W2-25135-00-00	GEAR, DRIVE	1	
35	1K7-25149-00-00	CLUTCH, METER	1	

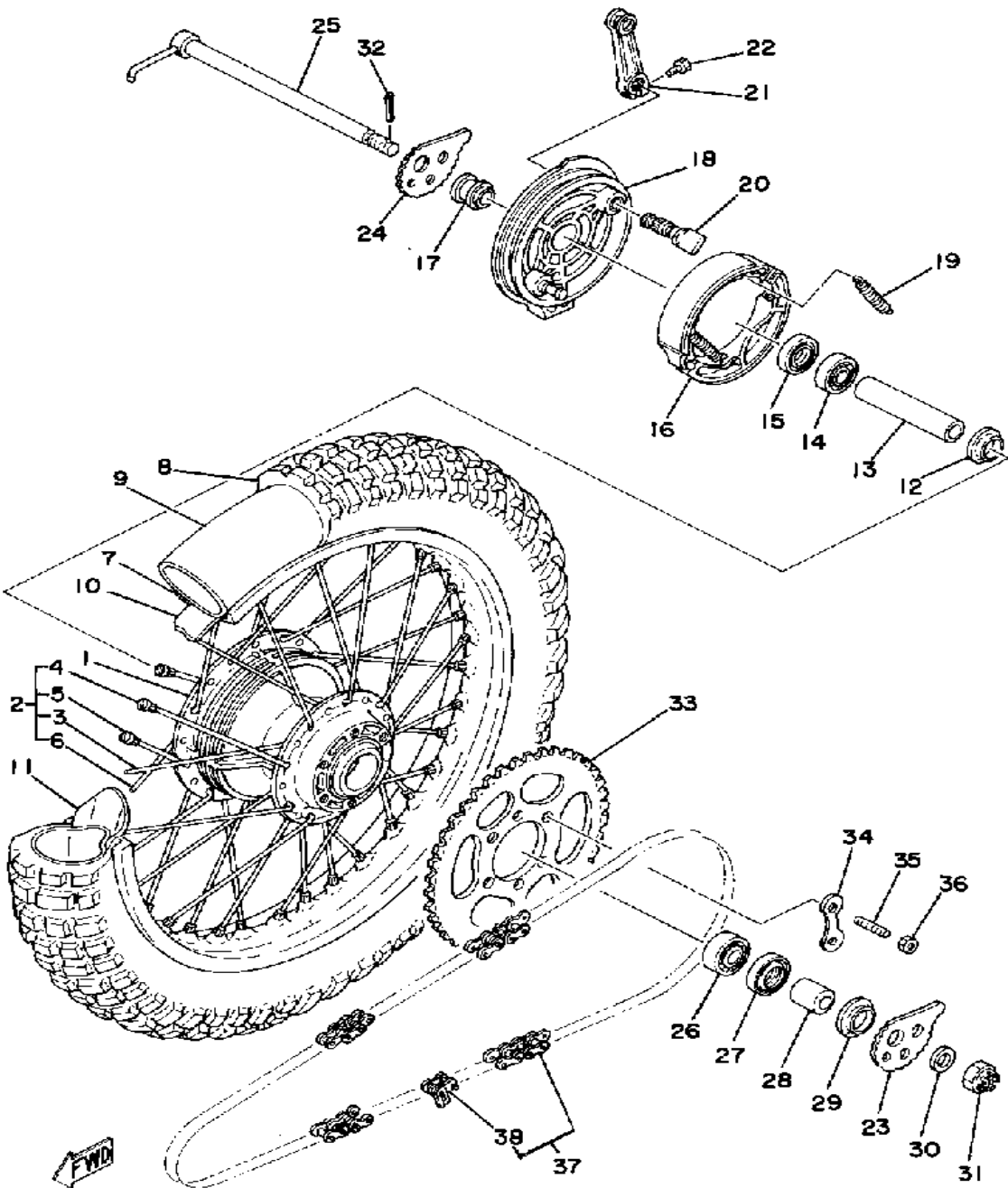
REAR WHEEL



Ref. No.	Part Number	Description	Qty	Remarks
1	1W1-25311-00-98	HUB, REAR	1	LOW GLOSS BLK
2	537-25304-01-00	SPOKE SET, REAR	1	
3	(537-25396-90-00)	SPOKE SET, INNER 2	1	
4	(537-25397-90-00)	SPOKE SET, OUTER 2	1	
5	(537-25391-90-00)	SPOKE SET, INNER 1	1	
6	(537-25392-90-00)	SPOKE SET, OUTER 1	1	
7	94418-18245-00	RIM 1.85X 8	1	
8	(94141-18518-00)	IRC 410X18 VE 1	1	
9	94235-18085-00	TUBE	1	
10	94325-18043-00	BAND, RIM	1	
11	2X3-25394-00-00	SPACER, BEAD	2	
12	146-25115-00-00	FLANGE, SPACER 1	1	
13	90560-15313-00	SPACER	1	
14	93306-20204-00	BEARING (B6202Z)	1	
15	93104-22018-00	OIL SEAL	1	
16	437-W2536-00-00	BRAKESHOE SET-2PCS	2	
17	90387-15623-00	COLLAR	1	
18	(1W2-25321-02-98)	PLATE, BRAKE SHOE	1	
19	90506-17328-00	SPRING, TENSION	2	
20	2RH-25351-00-00	CAMSHAFT	1	
21	4V5-25355-00-00	LEVER, CAMSHAFT (168-25355-00)	1	
22	90101-06291-00	BOLT	1	
23	1W2-25388-01-00	PULLER, CHAIN 1	1	
24	1W2-25389-01-00	PULLER, CHAIN 2	1	
25	1W2-25381-00-00	AXLE, WHEEL	1	
26	93306-30202-00	BEARING	1	
27	93106-26005-00	OIL SEAL	1	
28	90387-15524-00	COLLAR	1	

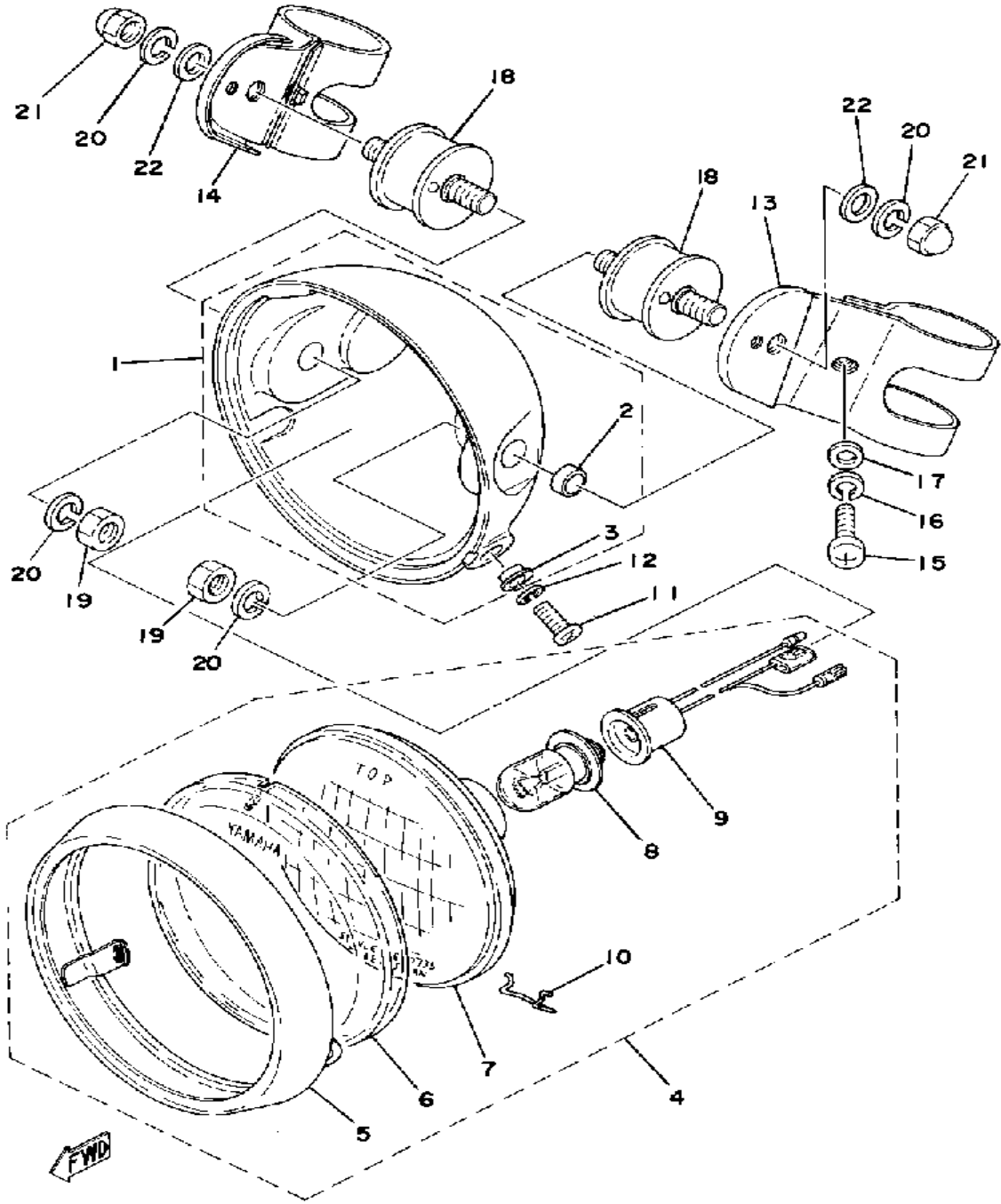
CONTINUED ON NEXT FRAME ►

REAR WHEEL



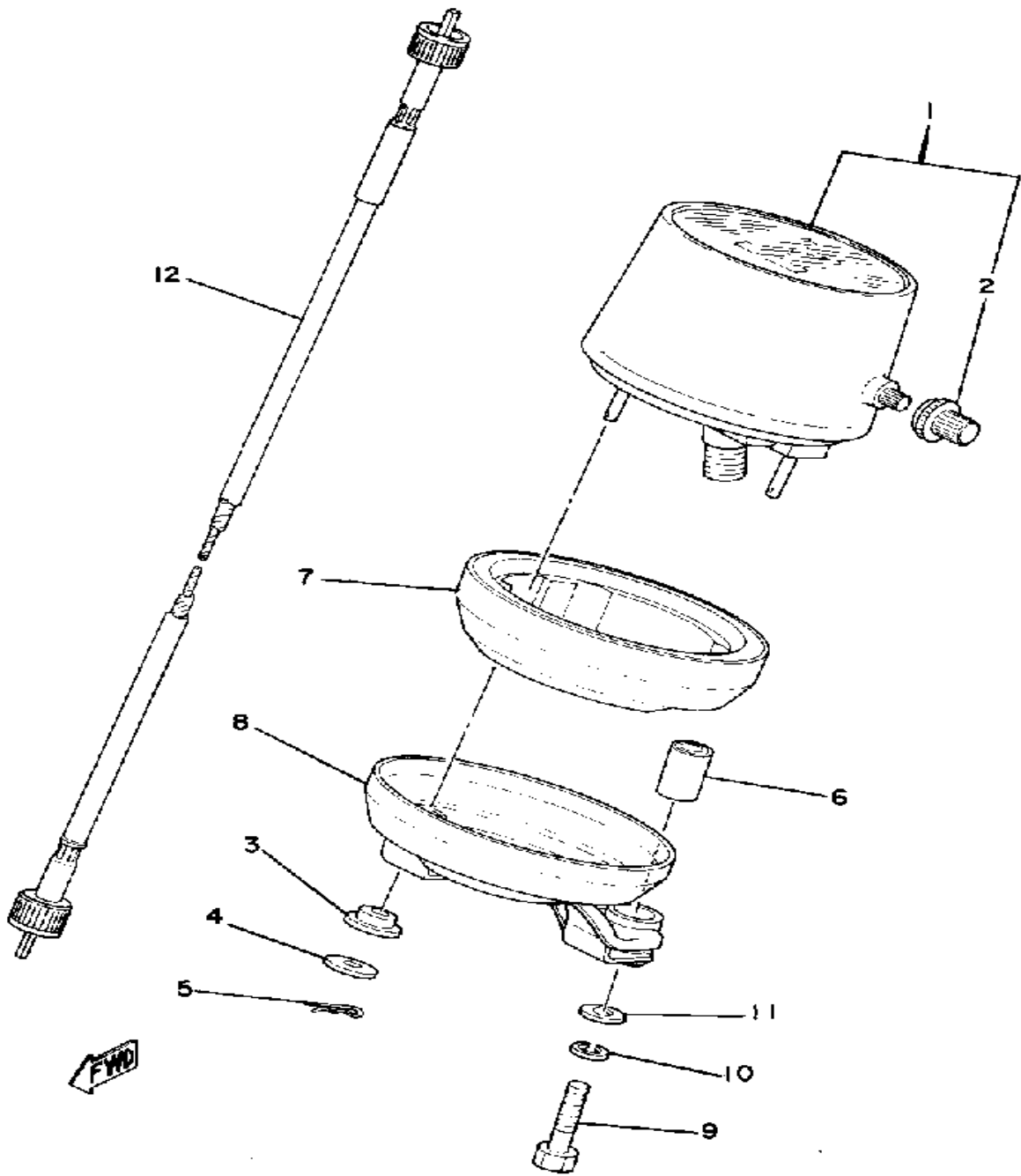
Ref. No.	Part Number	Description	Qty	Remarks
29	401-25367-00-00	COVER, HUB DUST	1	
30	90201-15238-00	WASHER, PLATE	1	
31	90171-14020-00	NUT, CASTLE	1	
32	91401-30030-00	PIN, COTTER	1	
33	1W2-25439-00-00	SPROCKET, DRIVN 39T	1	
	1W2-25441-00-00	SPROCKET, DRIVN 41T	1	STD
	1W2-25443-00-00	SPROCKET, DRIVN 43T		
34	1G8-25412-00-00	WASHER	3	
35	90116-10221-00	BOLT, STUD	6	
36	95701-10500-00	NUT, FLANGE (95702-10500) ..	6	
37	(94580-49096-00)	CHAIN	1	
38	94680-11001-00	. JOINT CHAIN	1	

HEAD LAMP



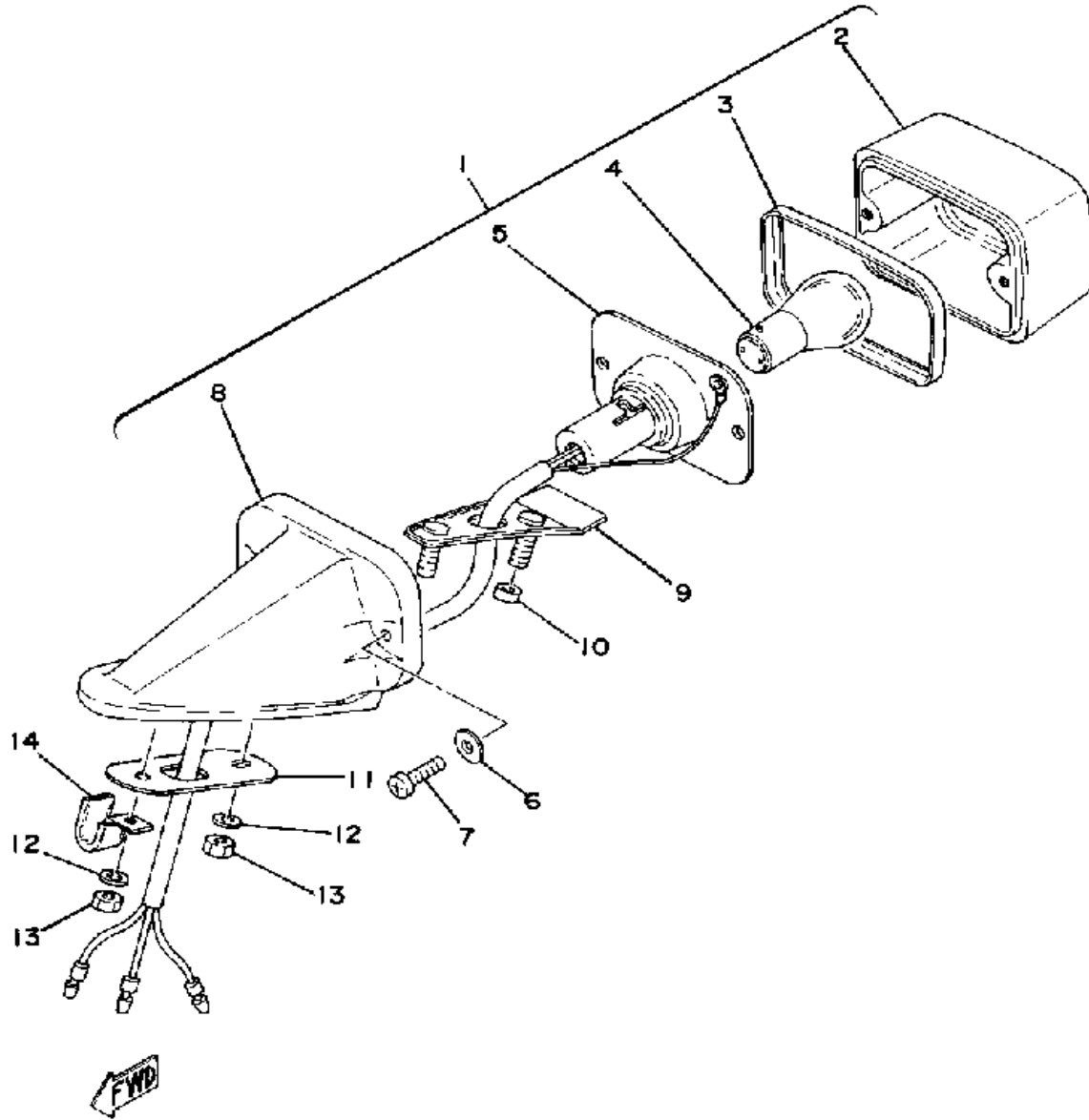
Ref. No.	Part Number	Description	Qty	Remarks
1	1W2-84130-60-00	BODY ASSEMBLY, HEADLIGHT	1	YAMAHA BLACK
2	(1W2-84145-60-00)	COLLAR, BODY FTNG	2	
3	1L9-84338-60-00	. COLLAR, BODY FTNG	2	
4	UNA-VAILA-BL-EI 00			
5	(1W2-84115-60-00)	RIM, HEADLIGHT	1	
6	1W2-84144-60-00	. COVER, HEADLIGHT	1	
7	3R8-84120-60-00	. LENS ASSEMBLY	1	
8	527-84114-09-XX	. BULB, HL 6V25/25W	1	
9	1W2-84112-60-00	. SOCKET	1	
10	1W2-84324-60-00	. SPRING, REFLECTOR	4	
11	98580-05016-00	SCREW, PAN HEAD	1	
12	92990-05100-00	WASHER, SPRING	1	
13	(1W2-84118-00-33)	STAY, HEADLIGHT 1	1	YAMAHA BLACK
14	(1W2-84119-00-33)	STAY, HEADLIGHT 2	1	YAMAHA BLACK
15	98580-06020-00	SCREW	2	
16	92995-06100-00	WASHER, SPRING	2	
17	92901-06600-00	WASHER	2	
18	1W2-84143-00-00	DAMPER, HDLT STAY	2	
19	95333-08600-00	NUT	2	
20	92990-08100-00	WASHER	4	
21	95303-08800-00	NUT (CROWN) (95301-08800)	2	
22	92901-08600-00	WASHER	2	

SPEEDOMETER



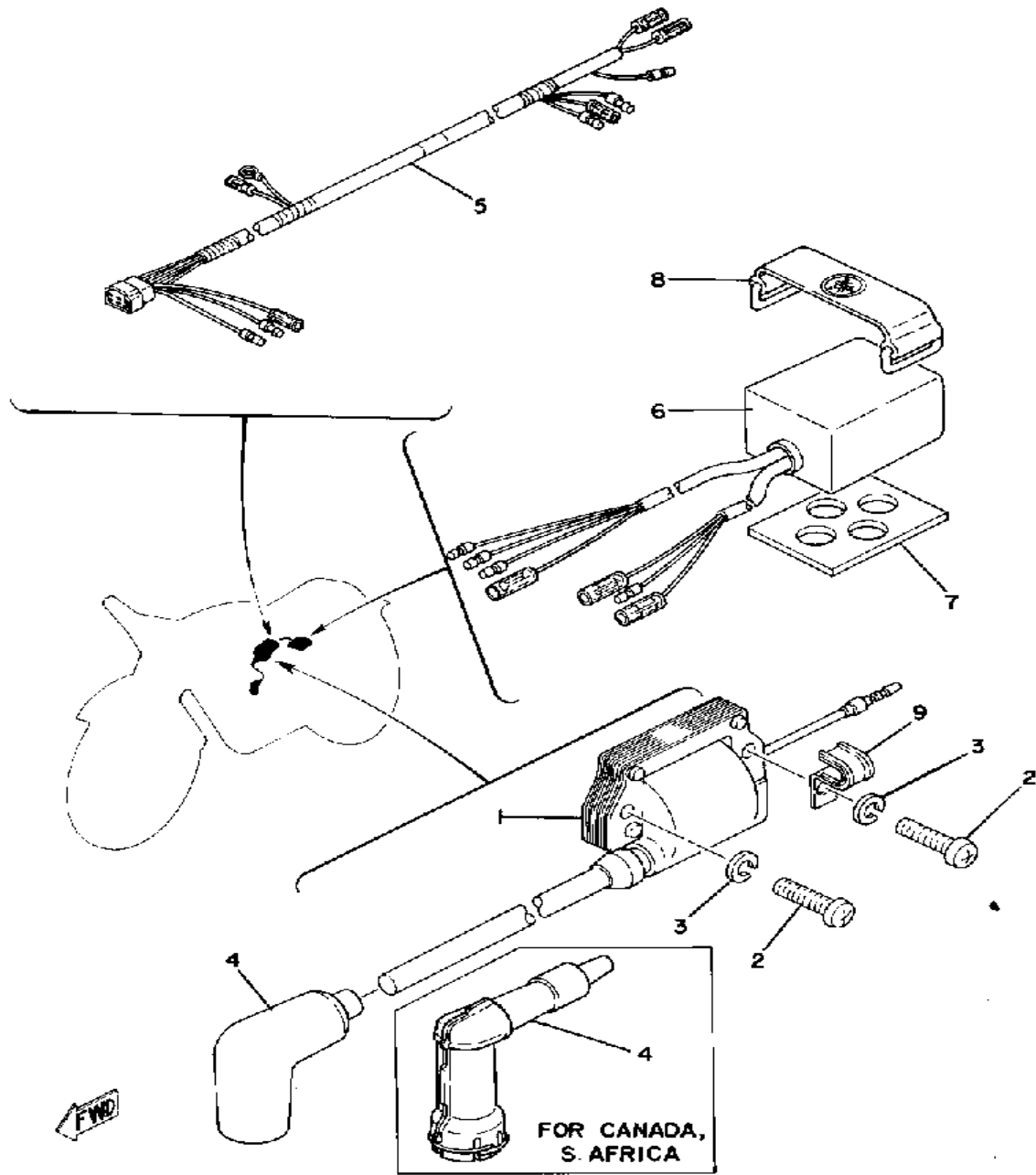
Ref. No.	Part Number	Description	Qty	Remarks
1	(2X7-83570-F0-00)	SPEEDOMETER ASSEMBLY ..	1	KM/H
	2N4-83570-A0-00	SPEEDOMETER ASSEMBLY ..	1	MILE/H
2	1E6-83578-60-00	. KNOB, TRIP METER	1	
3	1M1-83526-00-00	DAMPER 2	2	
4	90201-052E2-00	WASHER, PLATE	2	
5	90468-10050-00	CLIP	2	
6	90385-06001-00	BUSH, SPEC'L RUBBER (214-83528-00)	2	
7	1W2-83513-00-00	DAMPER	1	
8	(1W2-83519-00-00)	BRACKET, METER	1	
9	97021-06030-00	BOLT	2	
10	92995-06100-00	WASHER, SPRING	2	
11	92901-06600-00	WASHER	2	
12	3R8-83550-00-00	SPEEDOMETER CABLE	1	

TAIL LAMP



Ref. No.	Part Number	Description	Qty	Remarks
1	434-84500-64-00	TAILLIGHT ASSEMBLY	1	
2	434-84521-69-00	. LENS, TAILLIGHT	1	
3	434-84515-61-00	. RIM, TAILLIGHT	1	
4	122-84514-30-00	. BULB	1	
5	434-84517-61-00	. CORD, TAILLIGHT	1	
6	434-84522-62-00	. WASHER	2	
7	434-84524-61-00	. SCREW, LENS FITTING	2	
8	434-84519-64-00	. BRACKET, TAILLIGHT	1	
9	434-84500-64-00	. TAILLIGHT ASSEMBLY	1	
10	(434-84557-60-00)	COLLAR	2	
11	1W2-84525-00-00	WASHER, SPECIAL	1	
12	92990-05100-00	WASHER, SPRING	2	
13	95380-05600-00	NUT	2	
14	90462-05005-00	CLAMP	1	

TLU-11080-32-00 TIMING LIGHT (UNIVERSAL)



ELECTRICAL

Ref. No.	Part Number	Description	Qty	Remarks
1	5G4-82310-40-00	IGNITION COIL ASSEMBLY (J17-82310-21)	1	
2	98511-06025-00	SCREW PAN HEAD (92501-06025)	2	
3	92995-06100-00	WASHER, SPRING	2	
4	294-82370-00-00	PLUG CAP ASSEMBLY	1	
	808-82370-10-00	PLUG CAP ASSEMBLY	1	
5	(1W2-82590-01-00)	WIRE HARNESS ASSEMBLY	1	
6	2W6-85540-20-00	CDI UNIT ASSEMBLY	1	
7	2K7-85547-00-00	DAMPER	1	
8	21V-21376-00-00	BAND, TOOL	1	
9	90462-05005-00	CLAMP	1	

IT175F 1979 SERVICE DATA

MOTORCYCLE
M8-039

MODEL — IBM I.D. NUMBER	IT175F	2W6
Initial Engine Number/Frame Number	2W6-000101 / 2W6-000101	
Basic Color(s)	Sky Blue	
Fuel Type/Fuel Tank Capacity/Reserve Capacity	Premium / 9.5 Lit. (2.5 Gal.) / 1.0 Lit. (0.3 Gal.)	
Dry Vehicle Weight	98 kg (216 lbs.)	
ENGINE TYPE	2-Stroke, Air-Cooled, Reed Valve	
Bore/Stroke/Number Cylinders/Displacement (cc)	66mm / 50mm / 1 / 171cc	
Compression Ratio/Compression Pressure min ~ max	7.4:1 / ϕ	
Piston Skirt Clearance new/max.	0.040 ~ 0.045mm / 0.1mm	
Ring End Gap top/2nd/3rd	0.2 ~ 0.4mm / 0.2 ~ 0.4mm / ϕ	
Valve Clearance (cold) Intake/Exhaust	ϕ	
Oil Pressure hot/rpm	ϕ	
Oiling System	Premix (Ratio 20:1)	
Capacity: Dry	ϕ	
Oil and Filter Change	ϕ	
Oil Change	ϕ	
Lubricant: Temp above 5°C (40°F)	Yamalube R*	
Below 15°C (60°F)	Yamalube R*	
AUTOLUBE — Min. Stroke/Color Code	ϕ	
Minimum Output @ 200 cycles	ϕ	
Maximum Output @ 200 cycles	ϕ	
CARBURETOR — Mfr./Type/I.D. Number	Mikuni / VM34SS / 2W600	
Main Jet/Pilot Jet	360 / 70	
Needle Jet/Jet Needle-Clip Position	P-4 / 6F21-4	
Slide Cutaway or Throttle Valve	2.0	
Float Level	23.5 ± 1mm	
Idle RPM	ϕ	
CO % @ Idle (Diagnostic Use Only)	ϕ	
SUSPENSION		
Front Forks: Oil Type/Level/Qty.	10 wt. Fork Oil* / ϕ / 268.5cc	
Gas Pressure	ϕ	
Spring Length Std.	468mm	
Monoshock: Oil Type/Qty.	Not Rebuildable	
Gas Pressure	15 kg/cm ² (213 psi)	
Minimum Brake Lining Thickness	Front: 2mm Rear: 2mm	
Tire Size (Nominal Pressure)	F:3.00-21(1.0kg/cm ² /14 psi)R:4.10-18(1.2kg/cm ² /17 psi)	
TRANSMISSION — Oil Type/Qty Chg/Qty Reassemble	SAE 10W30 SE / 650cc / 750cc	
Primary Drive Type/Teeth/Ratio	Helical Gear / 71-22 / 3.227	
Secondary Drive Type/Teeth/Chain	Chain / 41-12 / DID520TR-96L	
Clutch Friction Plate Thickness Std ~ min.	3.0mm ~ 2.7mm	
Clutch Spring Length Std ~ min.	36.0 ~ 35.0mm	
Middle Gear Case Capacity	ϕ	
Final Gear Case Capacity	ϕ	
Gear Case Lubricant: Temp above 5°C (40°F)	ϕ	
Temp below 15°C (60°F)	ϕ	
All Weather Conditions	ϕ	

Service Copy: _____ Service Mgr. _____ Mechanic _____ Mechanic _____ Mechanic _____ Binder

Office Copy: _____ General Mgr. _____ Sales _____ Parts _____ Binder

©YAMAHA MOTOR CORPORATION, U. S. A., BUENA PARK, CALIFORNIA November 20, 1978 PAGE 1 OF 2

CHARGING SYSTEM	Flywheel Magneto
Battery: Model / Spec. Grav. / Chg. Rate	ϕ
Maximum Output	ϕ
TROUBLESHOOTING	
Field Coil Color Code / Ω	ϕ
Charge Coil Color Code / Ω	ϕ
IGNITION SYSTEM	Capacitor Discharge Ignition
Ignition Timing	2.6mm BTDC
Spark Plug Type	Champion N-2G
Spark Plug Gap / Torque / Cap Ω	0.6 ~ 0.7mm / 2.3 m·kg / ϕ
Point Gap / Condenser Capacitance	ϕ / ϕ
TROUBLESHOOTING	
Ignition Coil Test Gap / Primary Ω / Secondary Ω	6mm / 1.0 Ω ± 10% / 5.9K Ω ± 20%
Pulse Coil or Pick-up Coil Color Code / Ω	Wht-Red ~ Blk / 12.4 Ω ± 10%
Source Coil Color Code / Ω	Lo:Brn ~ Blk / 420 Ω ± 10% Hi: Red ~ Blk / 13.6 Ω ± 10%
LIGHTING SYSTEM	
Headlight / Taillight / Signal Rating	6V25-25W / 6V5.3W / ϕ
TROUBLESHOOTING	
Lighting Coil Color Code / Ω	Yel-Red ~ Blk / 0.48 Ω ± 10%
TORQUE VALUES	
Front Axle Nut	14 x 1.5:8.5 m·kg
Front Axle Holder Nut	ϕ
Rear Axle Nut	14 x 1.5:8.5 m·kg
Rear Axle Pinch Bolt	ϕ
Clutch Nut	14 x 1.0:5.0 m·kg
Drain Plug	14 x 1.25:2.0 m·kg
Cylinder Head Cover	ϕ
Cylinder Head:	Nut - 8 x 1.25:2.5 m·kg
	Stud - 8 x 1.25:2.4 m·kg
Engine Mounting Bolts:	Engine, Front
	Rear, Upper
	Rear, Lower
	8 x 1.5:2.5 m·kg
	8 x 1.5:2.5 m·kg
	10 x 1.5:3.9 m·kg

ϕ Does Not Apply to This Model

* Available From Yamaha Parts Distributors, Inc.

PAGE 2 OF 2

CHARGING SYSTEM	Flywheel Magneto
Battery: Model / Spec. Grav. / Chg. Rate	φ
Maximum Output	φ
TROUBLESHOOTING	
Field Coil Color Code / Ω	φ
Charge Coil Color Code / Ω	φ
IGNITION SYSTEM	Capacitor Discharge Ignition
Ignition Timing	2.6mm BTDC
TROUBLESHOOTING	
Spark Plug Type	Champion N-2G
Spark Plug Gap / Torque / Cap Ω	0.6 ~ 0.7mm / 2.3 m·kg / φ
Point Gap / Condenser Capacitance	φ / φ
TROUBLESHOOTING	
Ignition Coil Test Gap / Primary Ω / Secondary Ω	6mm / 1.0 Ω ± 10% / 5.9K Ω ± 20%
Pulse Coil or Pick-up Coil Color Code / Ω	Wht-Red ~ Blk / 12.4 Ω ± 10%
Source Coil Color Code / Ω	Lo: Brn ~ Blk / 420 Ω ± 10% Hi: Red ~ Blk / 13.6 Ω ± 10%
LIGHTING SYSTEM	
Headlight / Taillight / Signal Rating	6V25-25W / 6V5.3W / φ
TROUBLESHOOTING	
Lighting Coil Color Code / Ω	Yel-Red ~ Blk / 0.48 Ω ± 10%
TORQUE VALUES	
Front Axle Nut	14 x 1.5:8.5 m·kg
Front Axle Holder Nut	φ
Rear Axle Nut	14 x 1.5:8.5 m·kg
Rear Axle Pinch Bolt	φ
Clutch Nut	14 x 1.0:5.0 m·kg
Drain Plug	14 x 1.25:2.0 m·kg
Cylinder Head Cover	φ
Cylinder Head:	Nut - 8 x 1.25:2.5 m·kg Stud - 8 x 1.25:2.4 m·kg
Engine Mounting Bolts:	
Engine, Front	8 x 1.5:2.5 m·kg
Rear, Upper	8 x 1.5:2.5 m·kg
Rear, Lower	10 x 1.5:3.9 m·kg

φ Does Not Apply to This Model

* Available From Yamaha Parts Distributors, Inc.